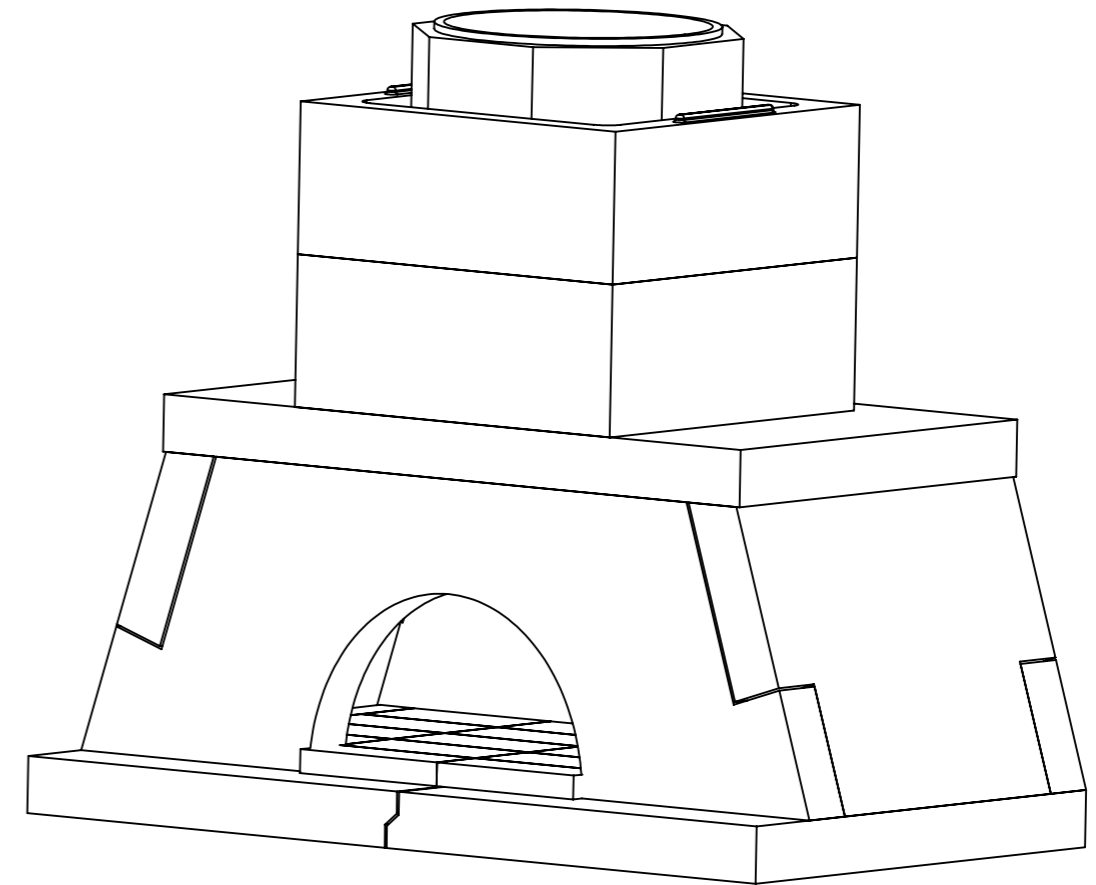


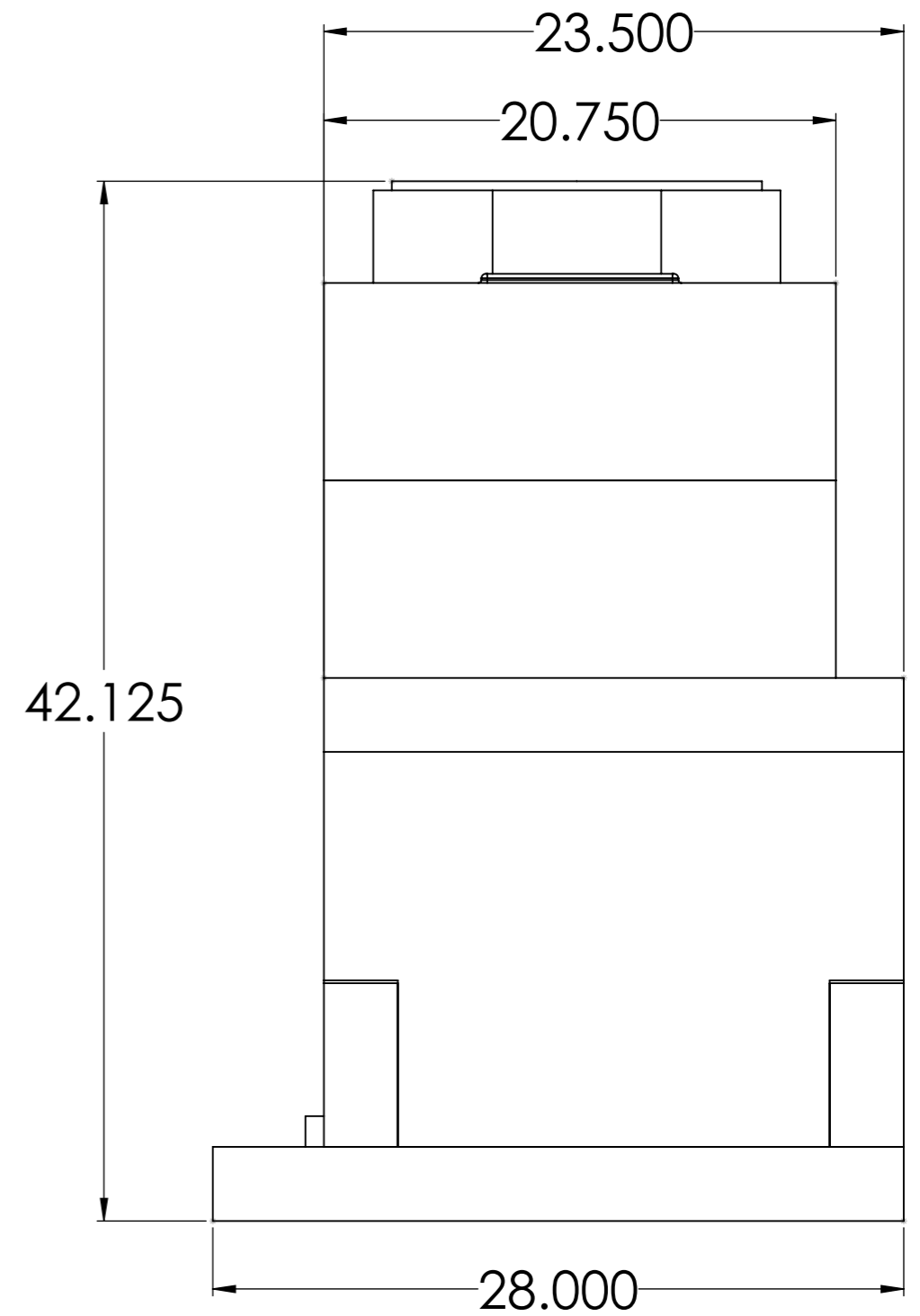
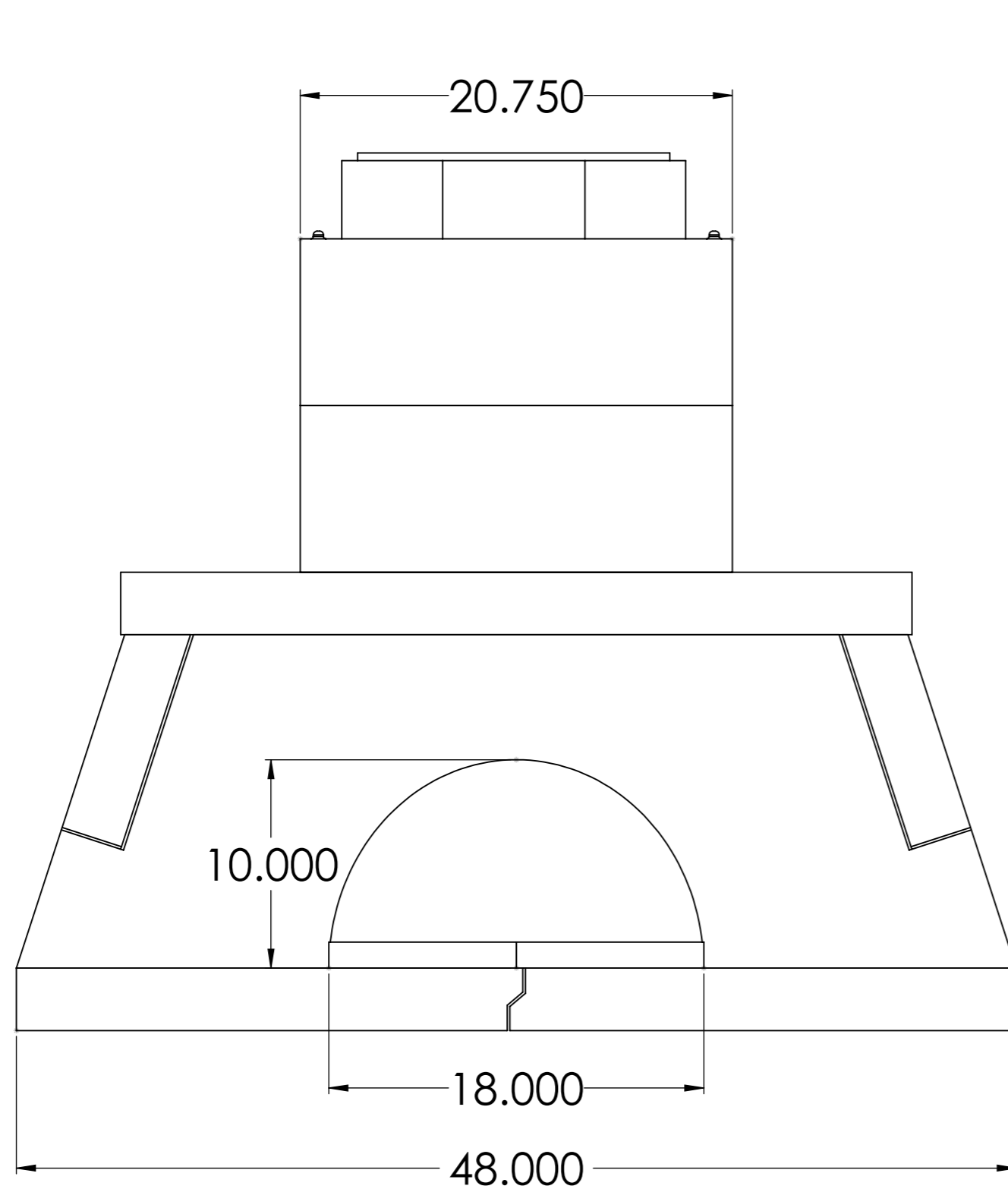
Outdoor Woodburning Pizza Oven  
(Shown with Optional Wood Storage Kit)



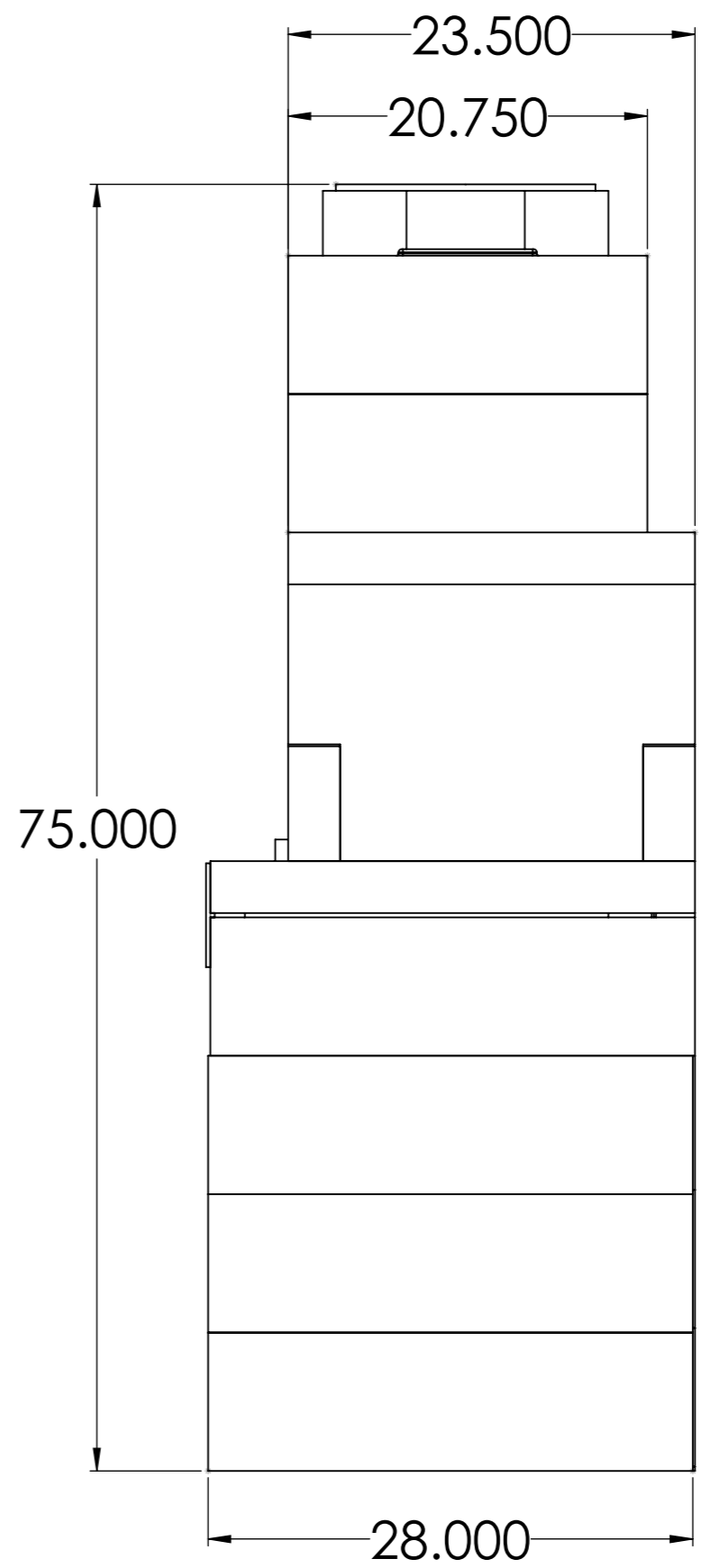
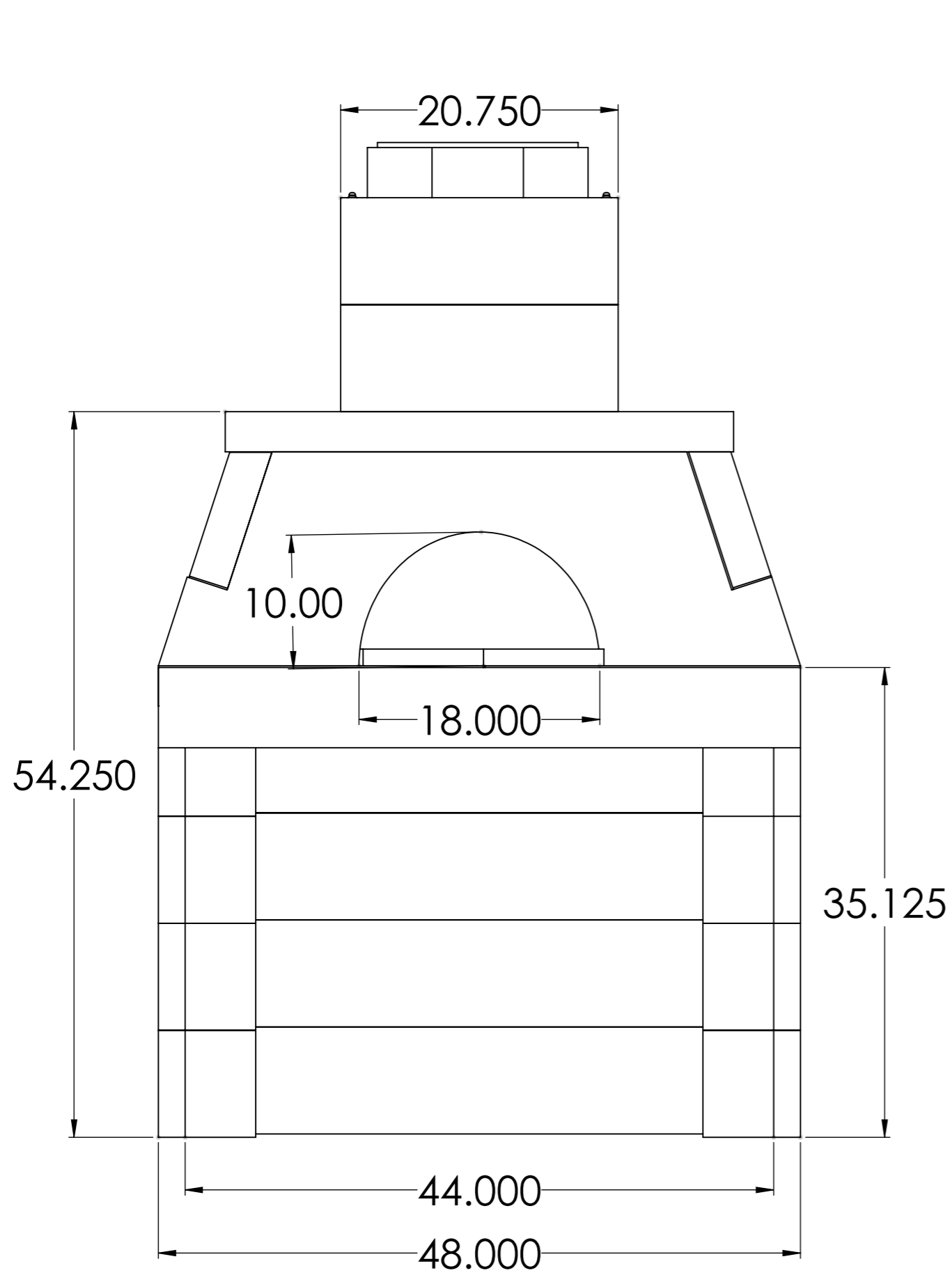
Outdoor Woodburning Pizza Oven



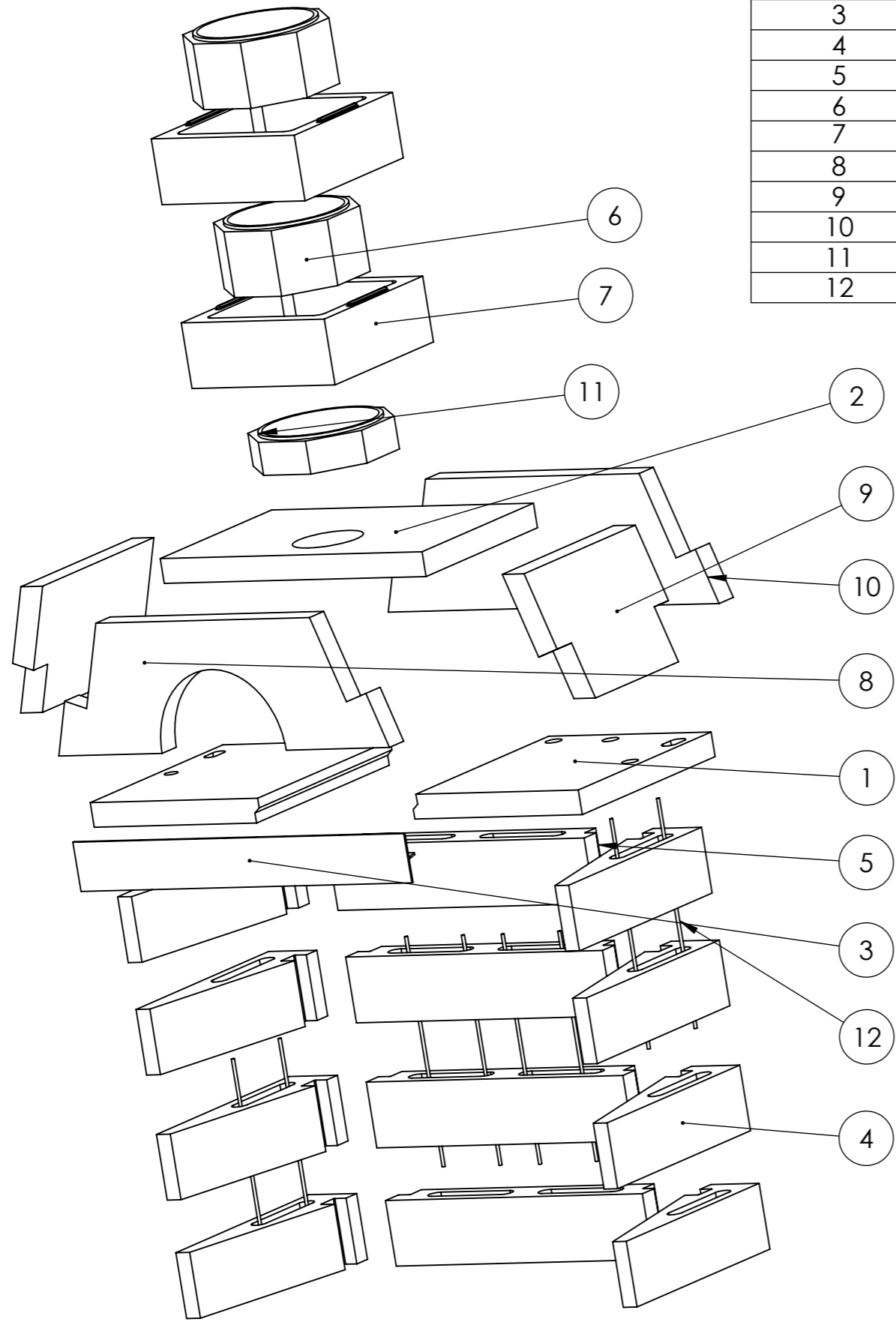
TITLE:	PIZZA AND WOODSTORAGE	
DWG NO.:	OPO-D1	
SCALE:1:20	SHEET 1 OF 5	



TITLE:	Outdoor Pizza Oven	
DWG NO.:	OPO-D2	
SCALE:1:20	SHEET 2 OF 5	



TITLE:	OUTDOOR PIZZA OVEN AND WOOD STORAGE
DWG NO.:	OPO/WS-D3
SCALE: 1:20	SHEET 3 OF 5

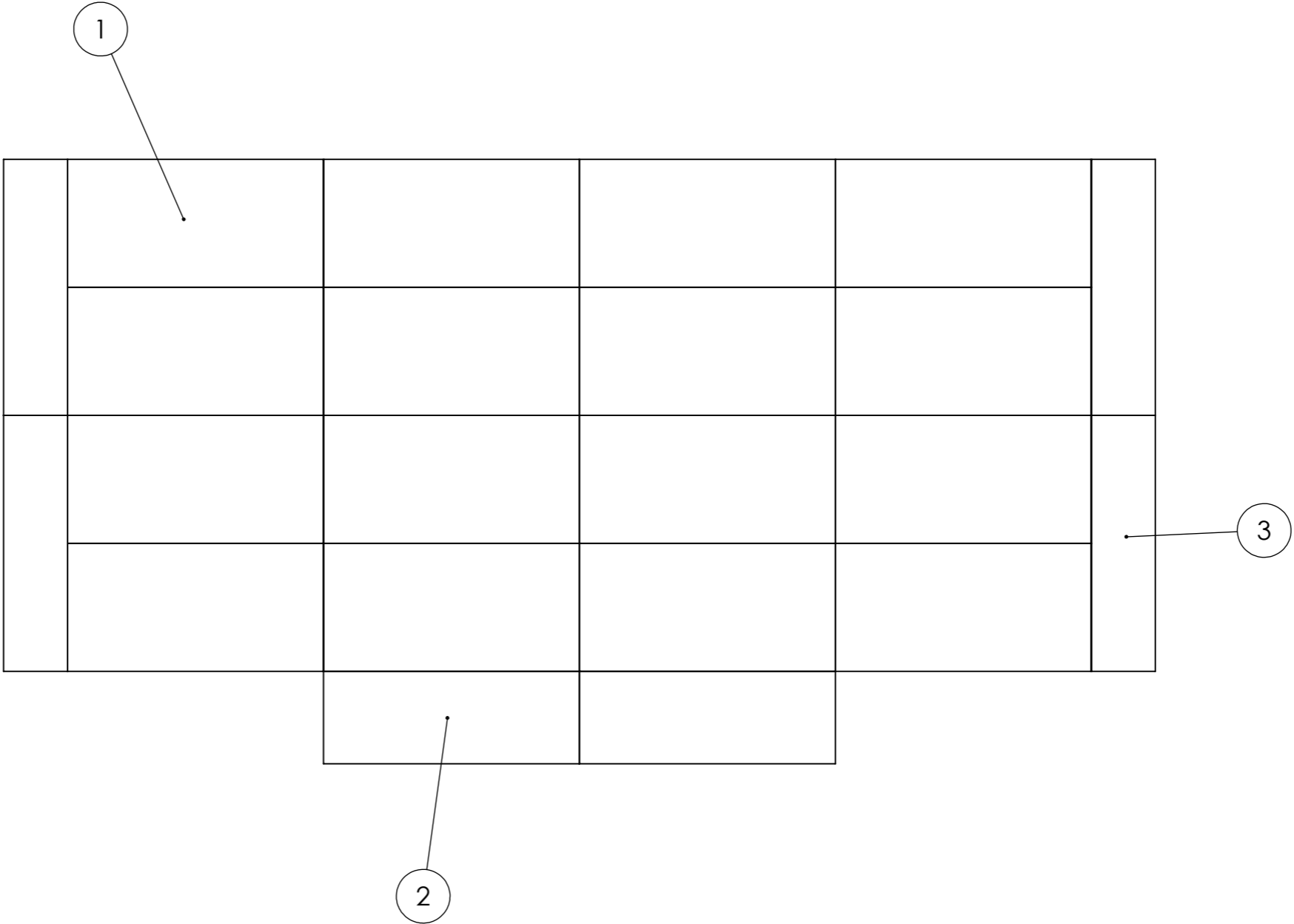


ITEM NO.	PART NUMBER	DESCRIPTION	iso/QTY.
1	OPO18-1 OPO18-9	HEARTH BTM	2
2	OPO18-6B OPO18-3	DOME TOP	1
3	OPO18-2	T-BAR, STEEL	1
4	OPO252	SIDE WALL W/Ø4	8
5	OPO254	REAR WALL	4
6	OPO18-10A OPO18-8	FLUE, INNER 8" H, MFCS-14	2
7	OPO18-10B OPO251	Outer Chimney 8H	2
8	rebar	DOME, FRONT	1
9		DOME, SIDE	2
10		DOME, BACK	1
11		MFCS-14 FLUE INNER 4" HIGH	1
12		#3 REBAR (Ø3/8") X 28"	8



TITLE:	PIZZA AND WOOD STORAGE PARTS LIST	
DWG NO.	OPO/WS-PL	
SCALE:1:50	SHEET 4 OF 5	

ITEM NO.	PART NUMBER	DESCRIPTION	QTY.
1	OPO18-FB1	9" x 4.5"	16
2	OPO18-FB2	9" x 3.25"	2
3	OPO18-FB3	9" x 2.25"	4



TITLE:	PIZZA OVEN HEARTH LAYOUT	
DWG NO.	OPO-HL	
SCALE:1:5	SHEET 5 OF 5	