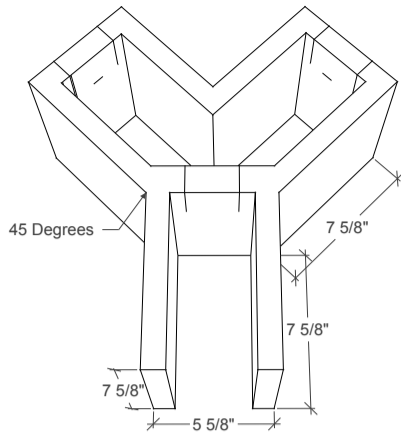
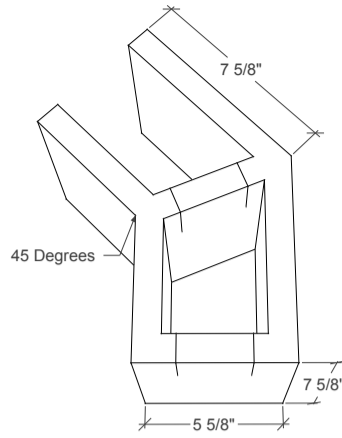


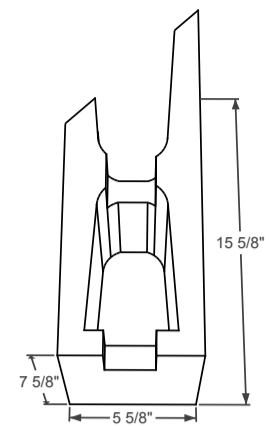
6" Wide x 8" Correctional Configurations



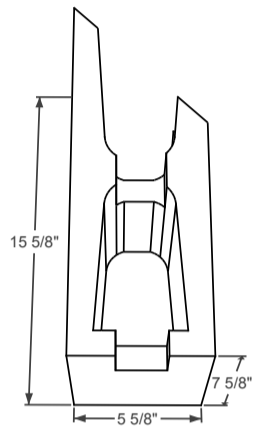
6x8x16 "Y" Block



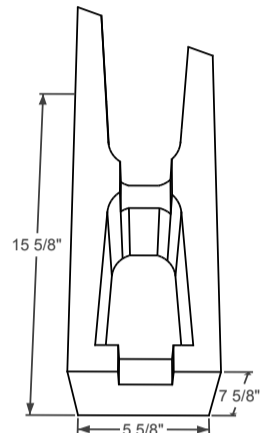
6x8x16 Chevron



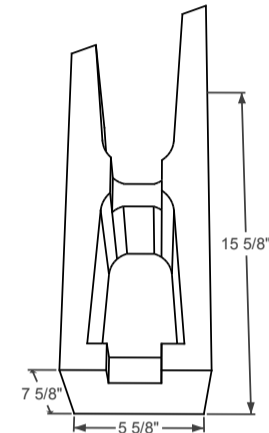
6x8x16 45 Degree Miter - Right



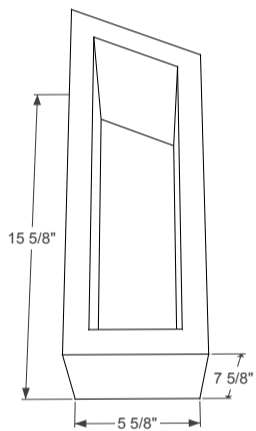
6x8x16 45 Degree Miter - Left



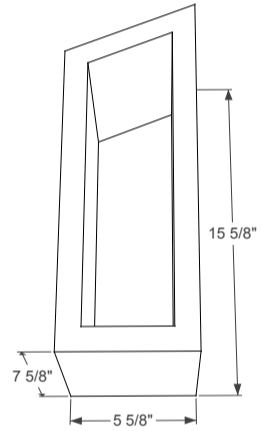
6x8x16 22.5 Degree Miter - Left



6x8x16 22.5 Degree Miter - Right

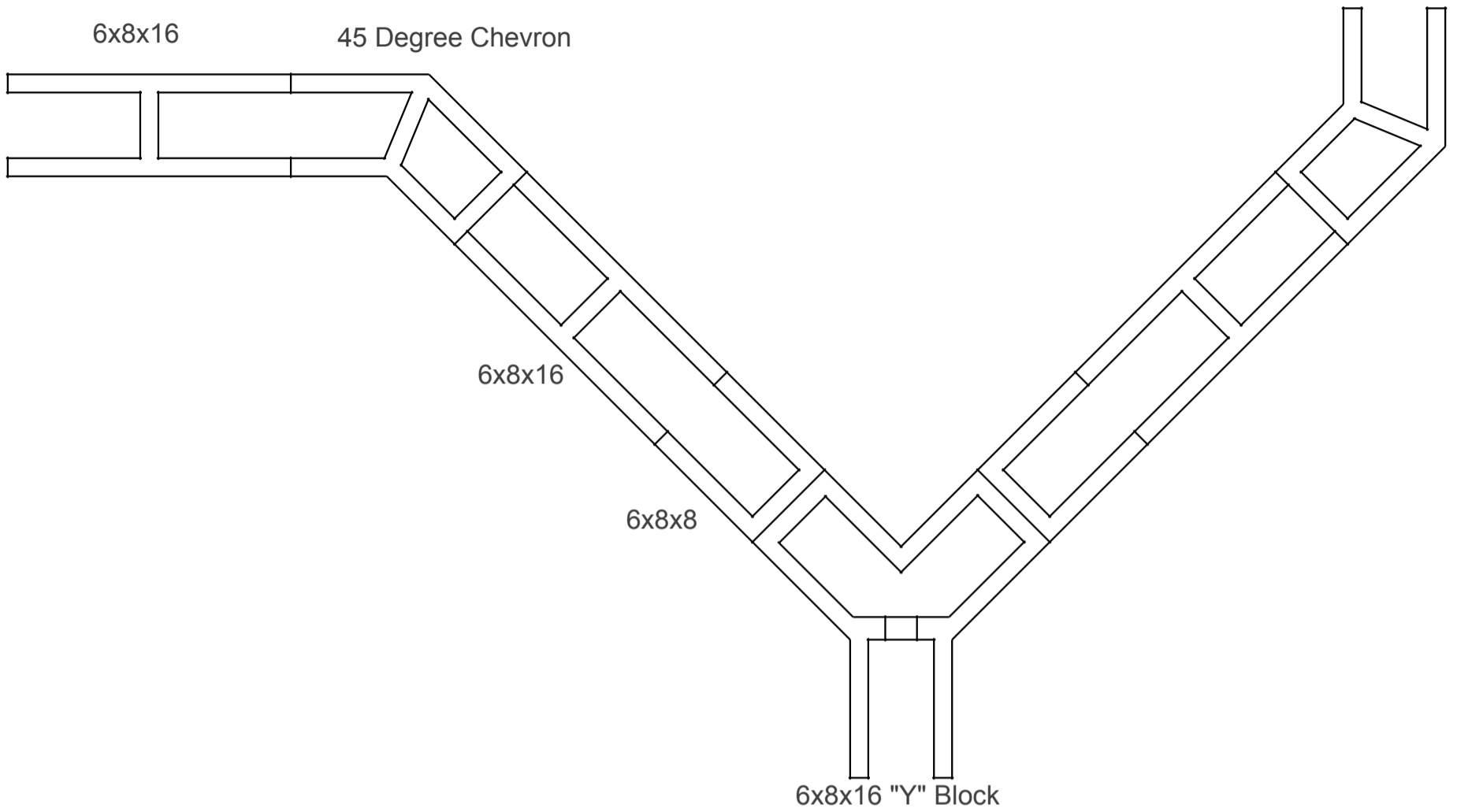


6x8x16 22.5 Degree Miter Single Core -Left

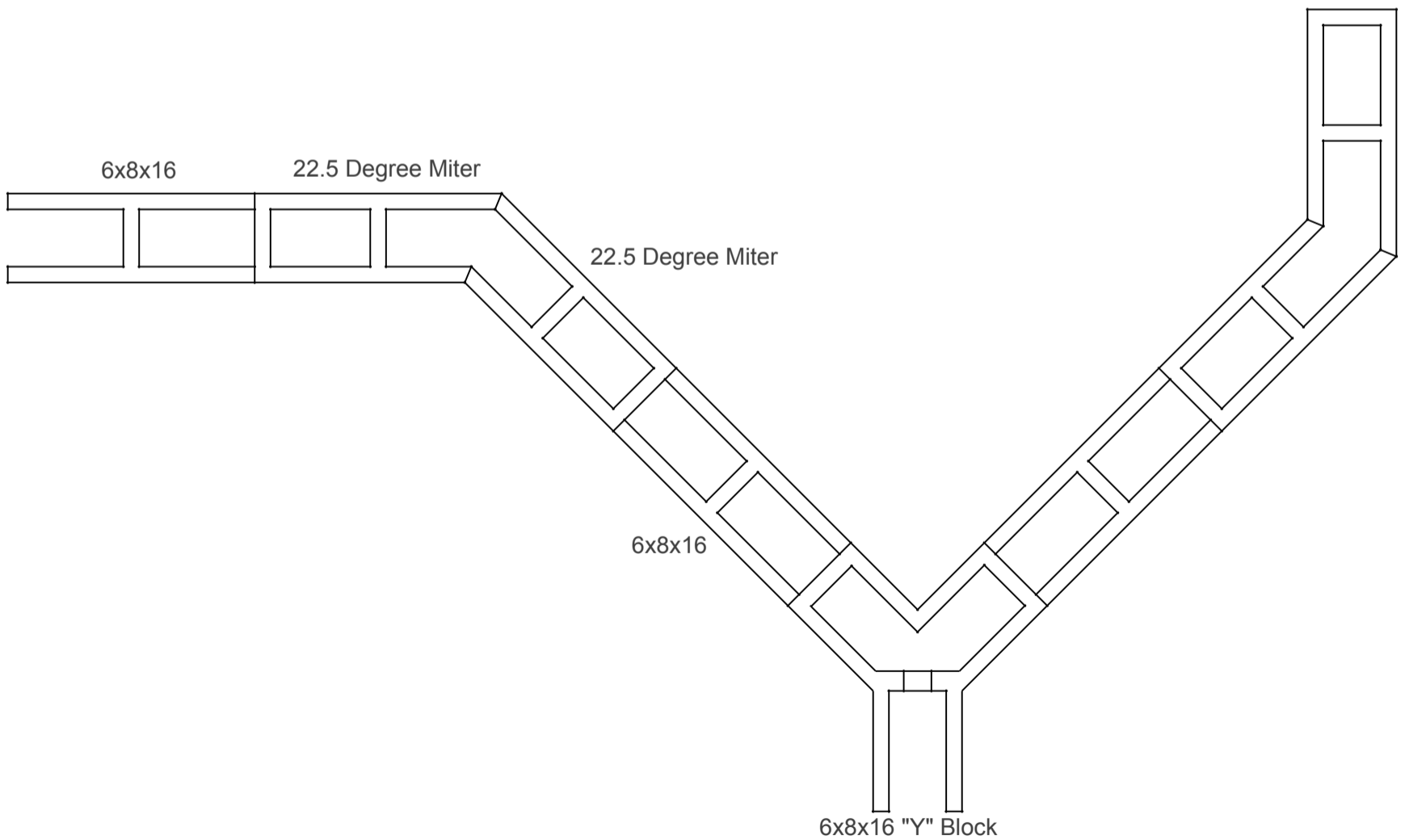


6x8x16 22.5 Degree Miter Single Core -Right

Typical Coursing for Chevron, "Y" and Miter Block Units



First Course Layout



Alternate Course Layout

*Cores and Ends can vary by shape and texture.
Please contact your ORCO Block & Hardscape Professional for more detailed information*