



Outdoor Wood Fired PizzaOven Kit



© Eric Zumstein

*Shown with optional wood storage and door



Modular Pre-Cast Fireplace Systems

Outdoor Wood Fired Pizza Oven

The perfect addition to your own outdoor kitchen. The long awaited **Outdoor Wood Fired Pizza Oven** brings ease to both the installation and operation of an outdoor masonry pizza oven. The **Burntech Pizza Oven** will give you the ability to cook your own mouth-watering custom pizzas from the privacy of your own backyard.

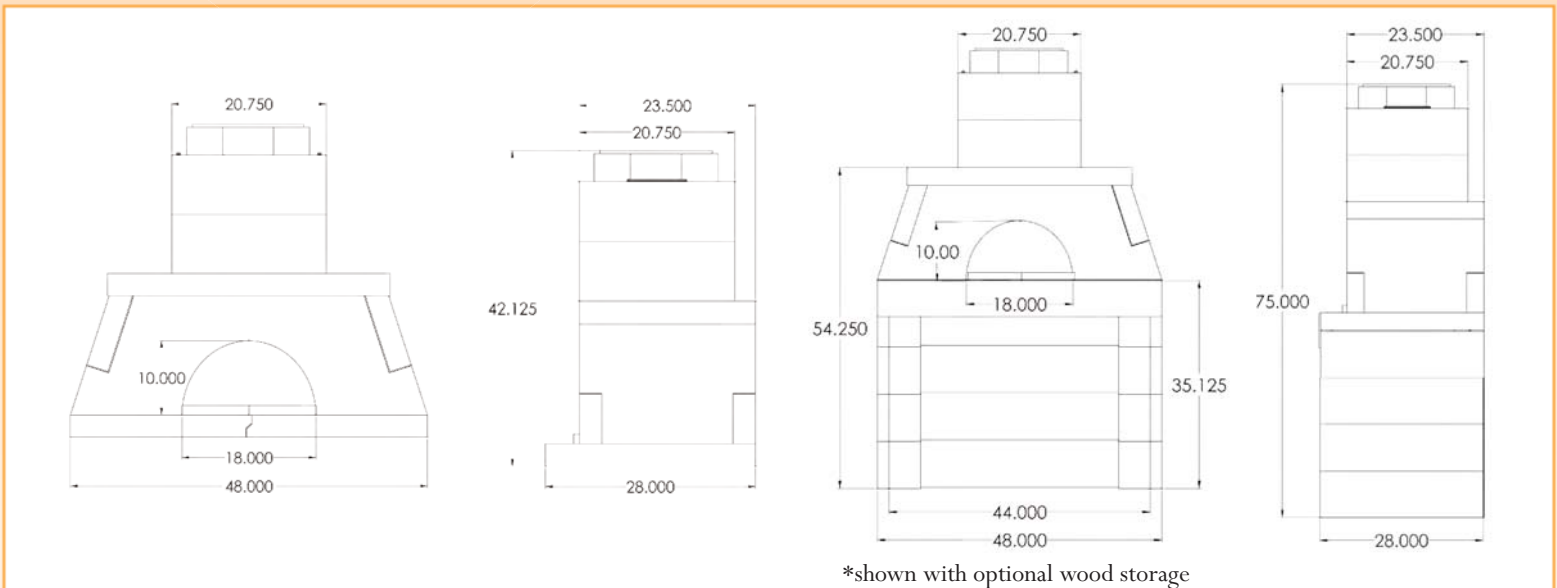
Burntech is a company built on helping homeowners realize their dream of installing true masonry hearth products, without the cost and complexity of traditional masonry construction. Our Wood Fired Pizza Oven continues this tradition as a prefabricated, refractory modular wood fired oven designed for field assembly. The system consists of interlocking precast components which adhere together with masonry mortar.



*Optional Powder Coated Steel Door

The pizza oven can be finished to owners preference: stucco (shown left), rock, tile, brick, etc.

Important: Due to the heat and weight issues, the **Outdoor Wood Fired Oven, Table Top** version installation requires a non-combustible base with no wood underpinings, prepare custom base to handle the **Burntech Oven** 684 lbs. with optional base support weight 580 lbs. for a total of 1264 lbs.



Burntech Products Available at:

