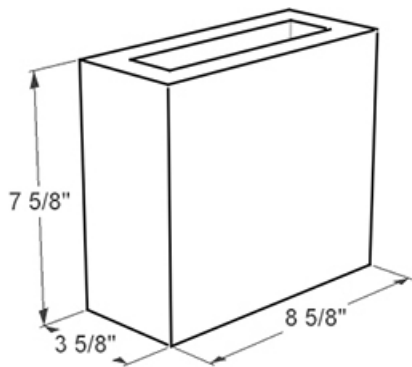
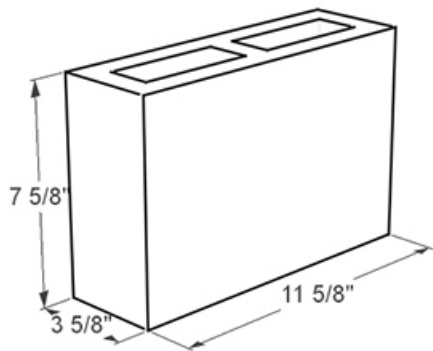


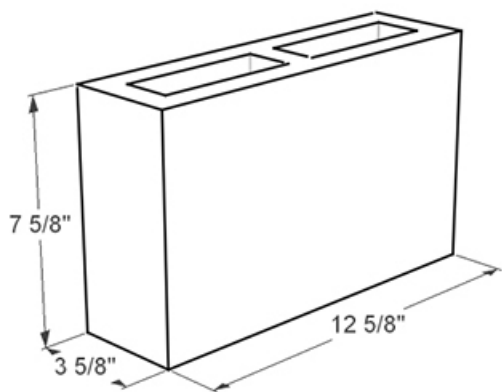
4X8X8



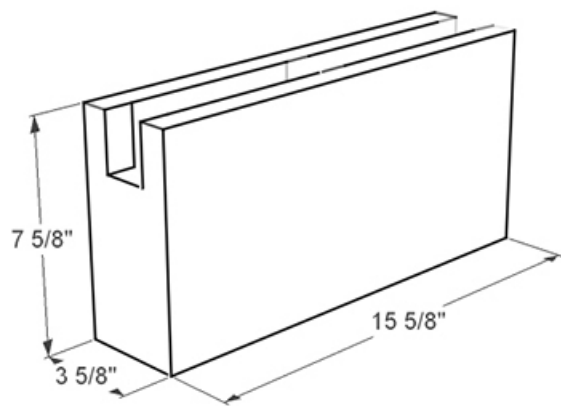
4X8X9



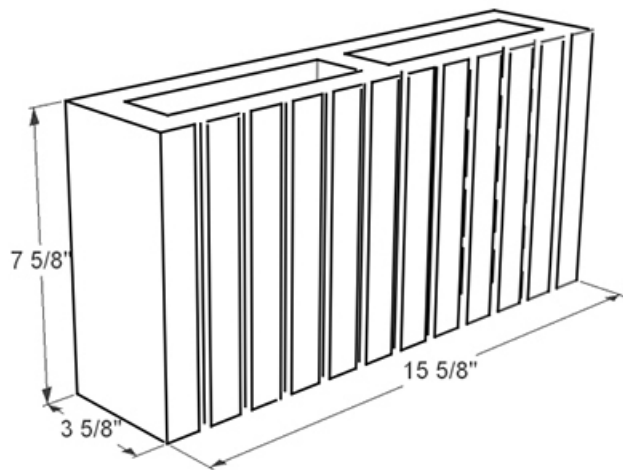
4X8X12



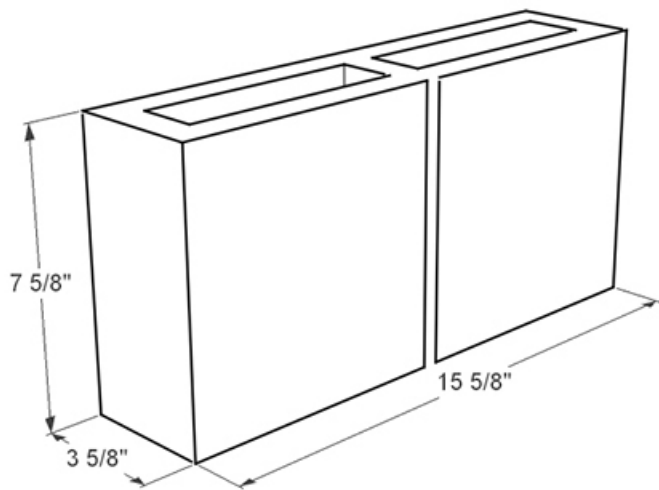
4X8X13



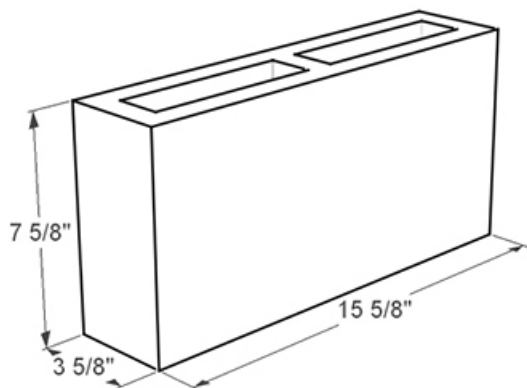
4X8X16 BOND BEAM



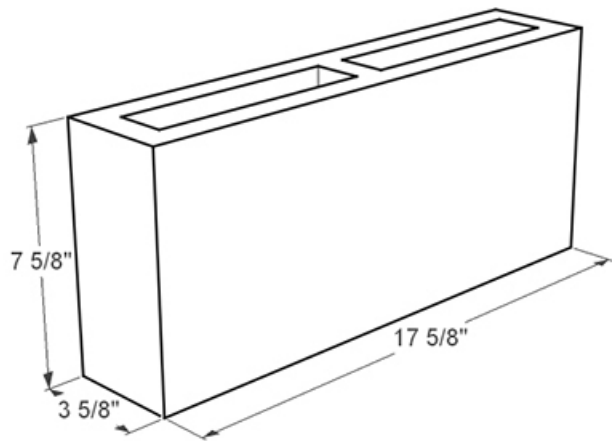
4X8X16 LIDO



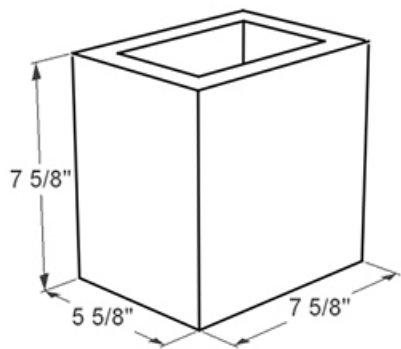
4X8X16 VERTICAL SCORE



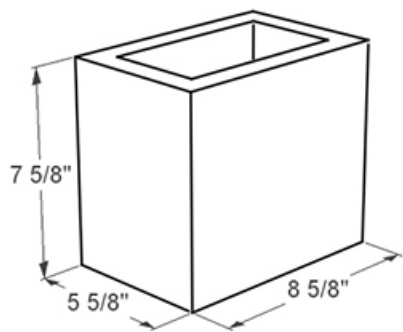
4X8X16



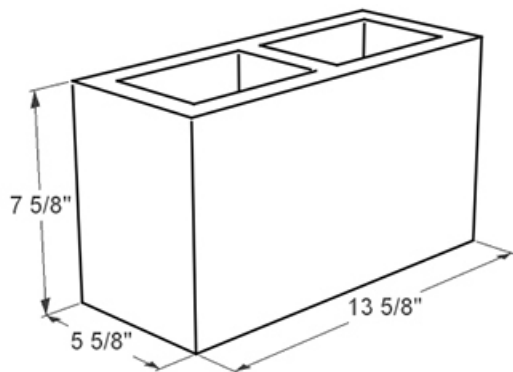
4X8X18



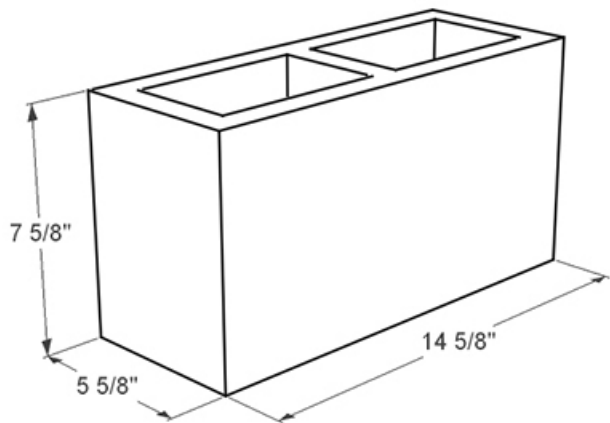
6X8X8



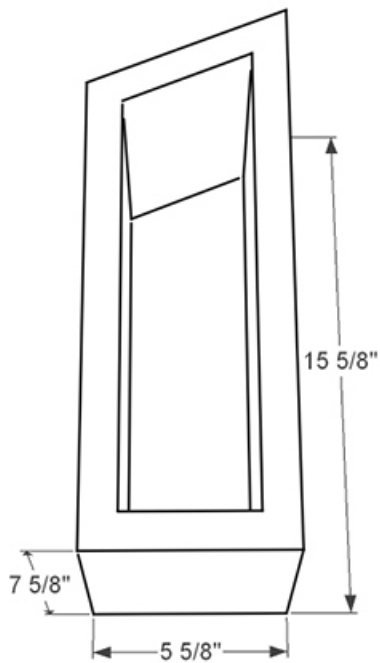
6X8X9



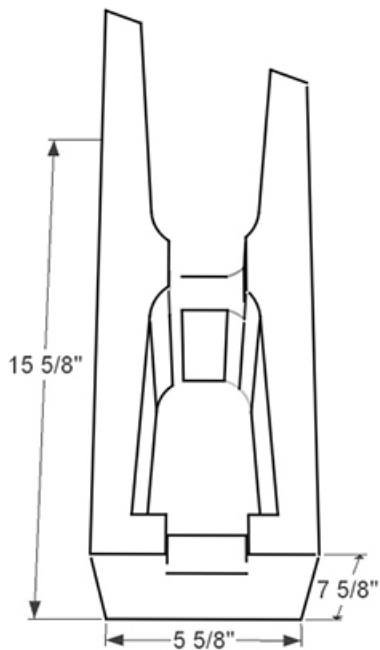
6X8X14



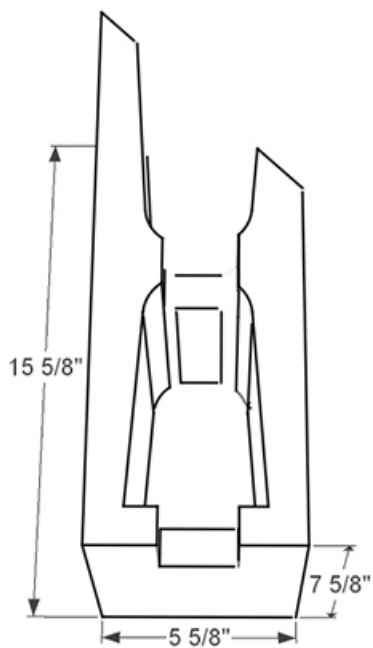
6X8X15



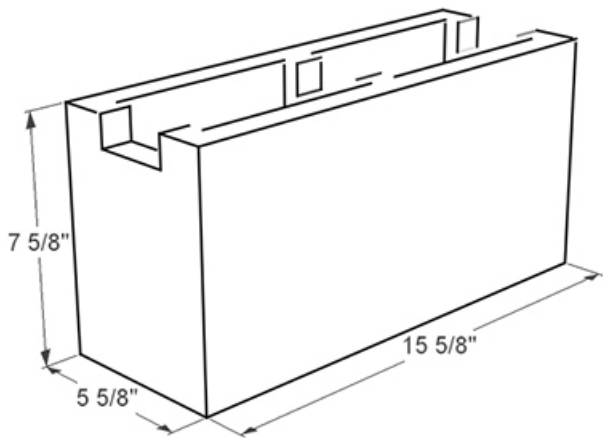
6X8X16 22.5 MITER SINGLE CORE



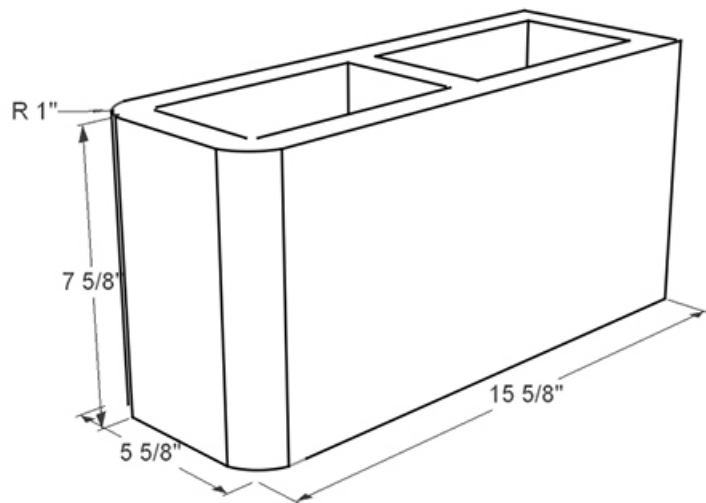
6X8X16 22.5 DEGREE MITER BOND BEAM



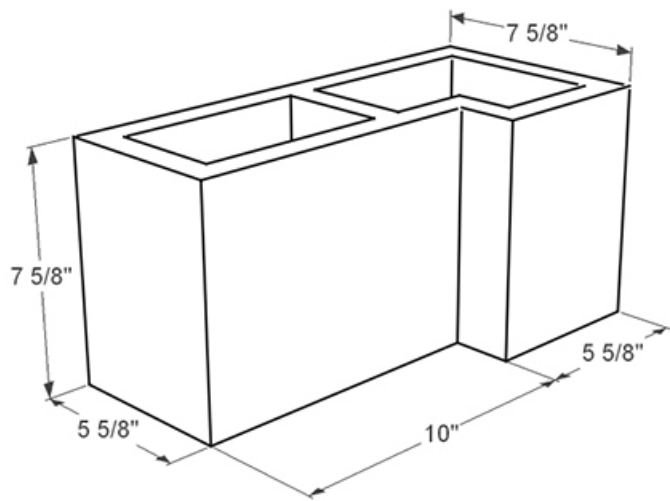
6X8X16 45 DEGREE MITER BOND BEAM



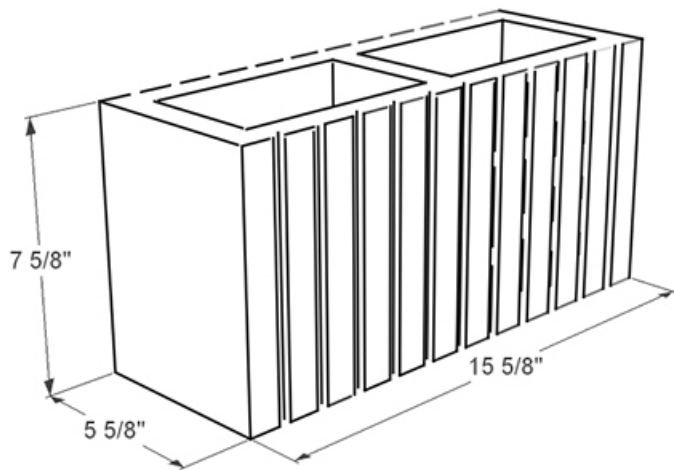
6X8X16 BOND BEAM



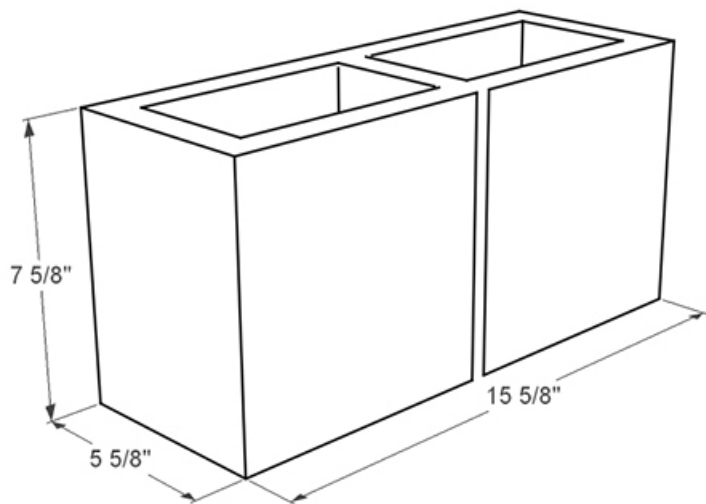
6X8X16 BULLNOSE 2 ENDS



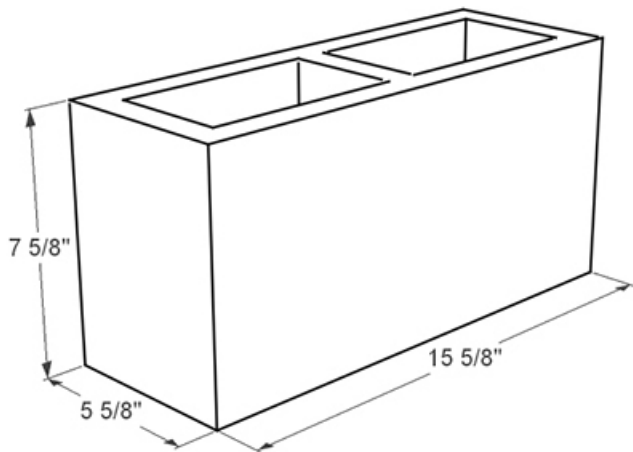
6X8X16 CORNER RETURN



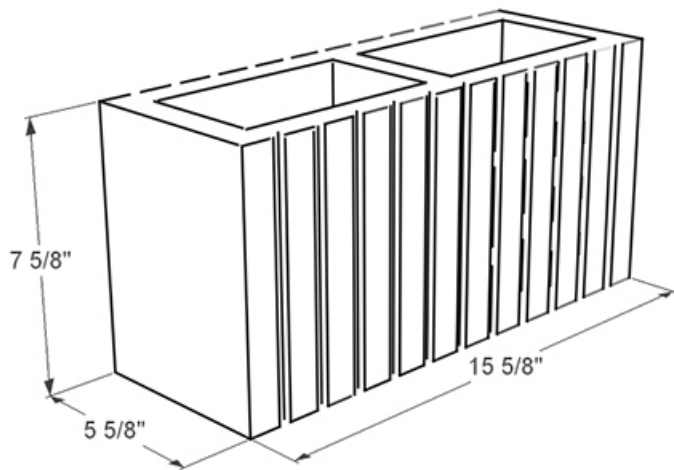
6X8X16 LIDO



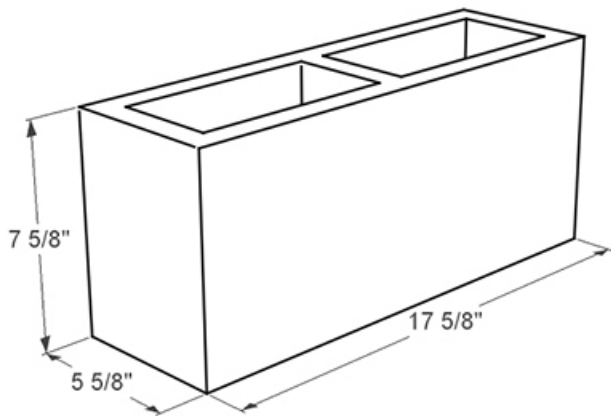
6X8X16 VERTICAL SCORE



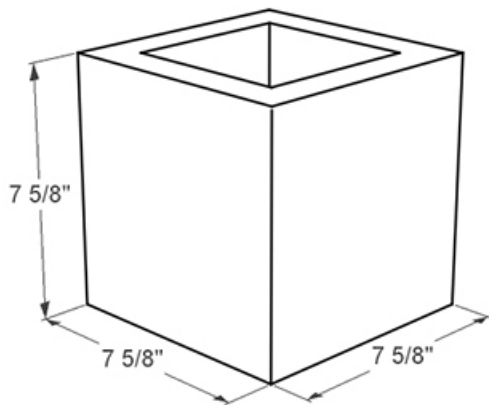
6X8X16



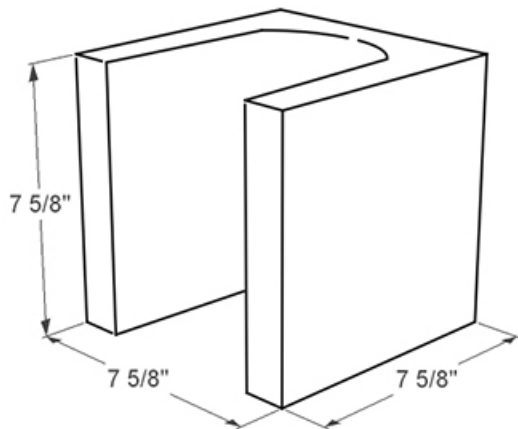
6X8X18 LIDO



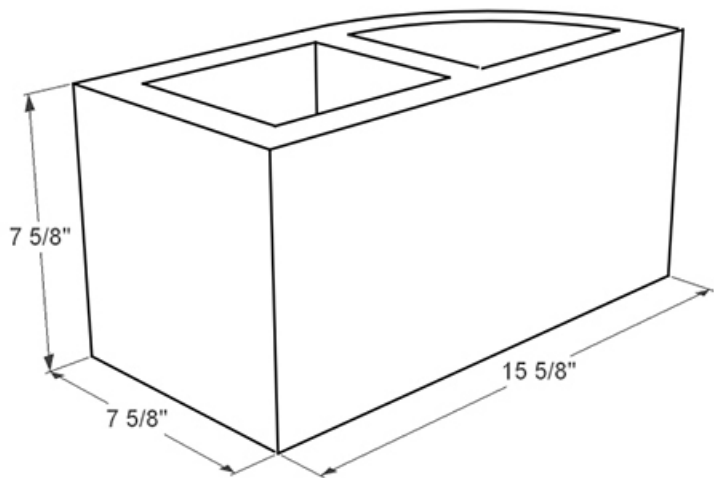
6X8X18



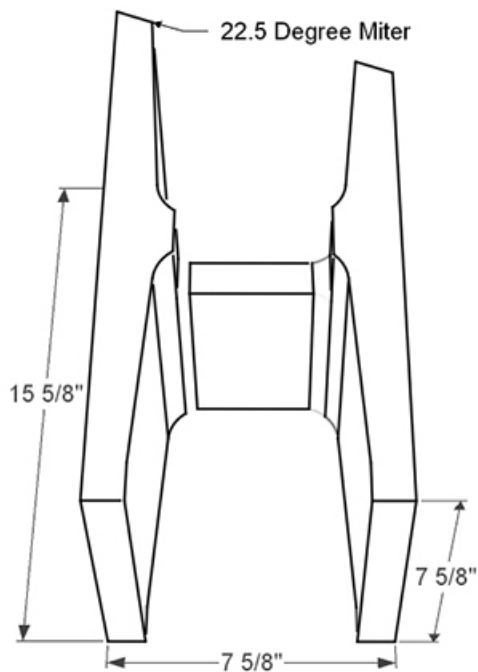
8X8X8



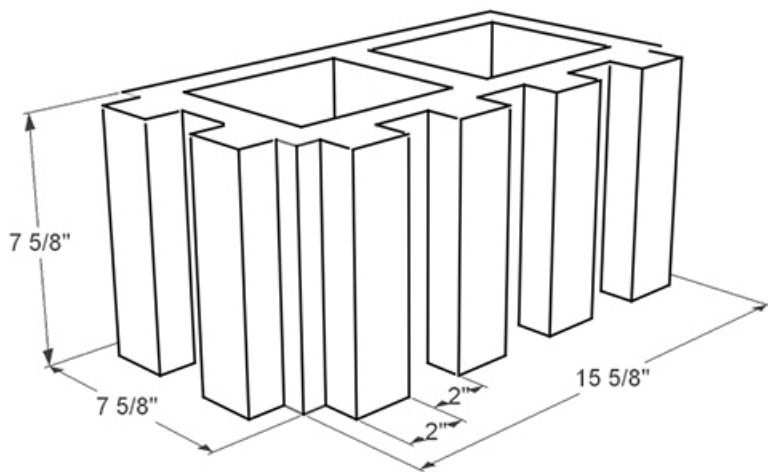
8X8X8 U LINTEL



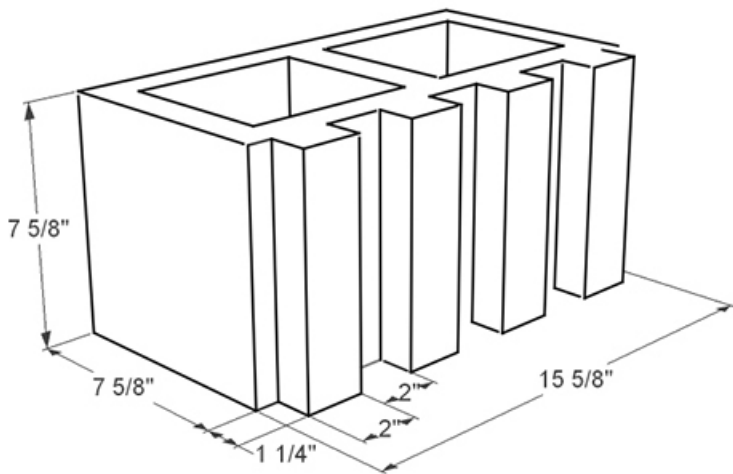
8X8X16 8 INCH RADIUS BLOCK



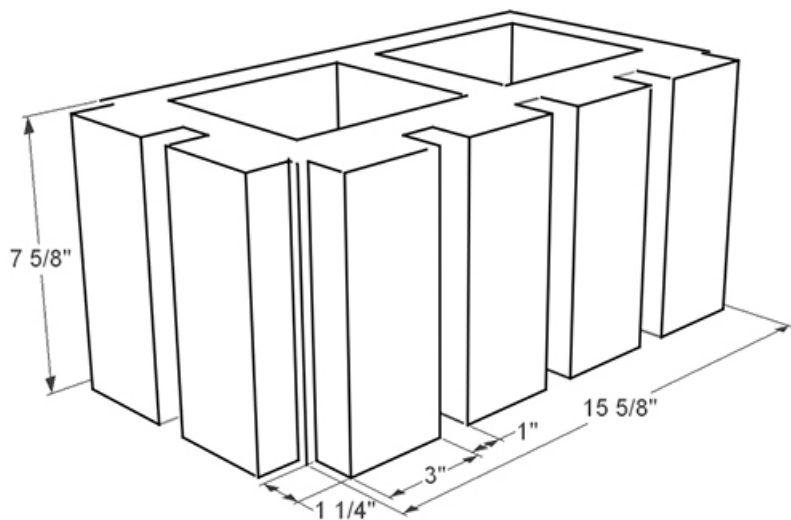
8X8X16 22.5 DEGREE MITER DOUBLE OPEN END BOND BEAM



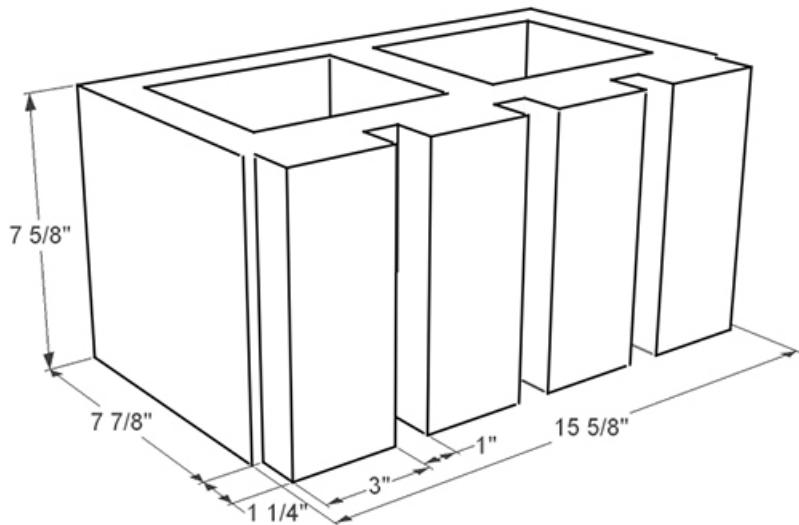
8X8X16 202 SCORE 1 SIDE 1 END



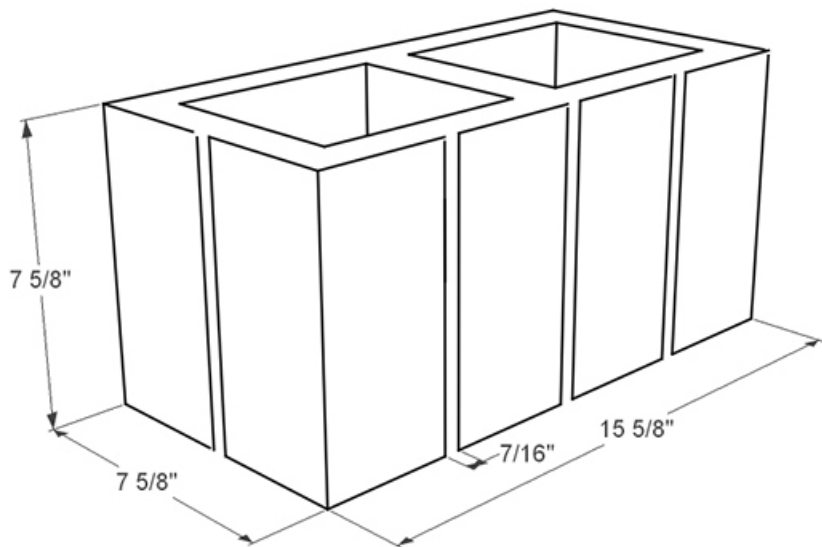
8X8X16 202 SCORE 1 SIDE



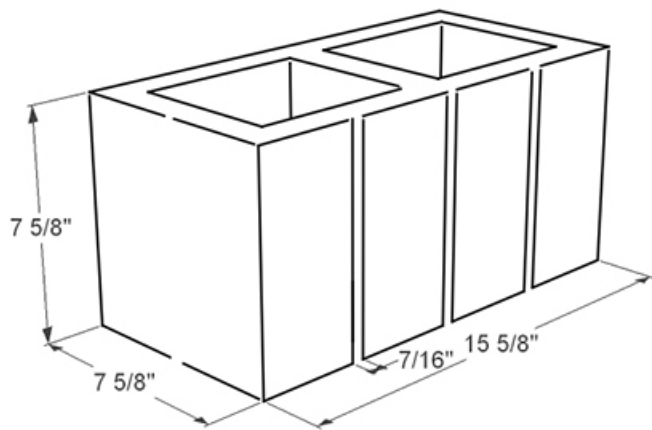
8X8X16 301 SCORE 1 SIDE 1 END



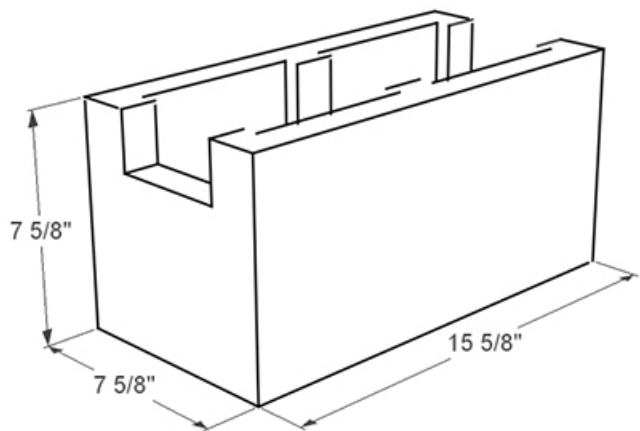
8X8X16 301 SCORE 1 SIDE



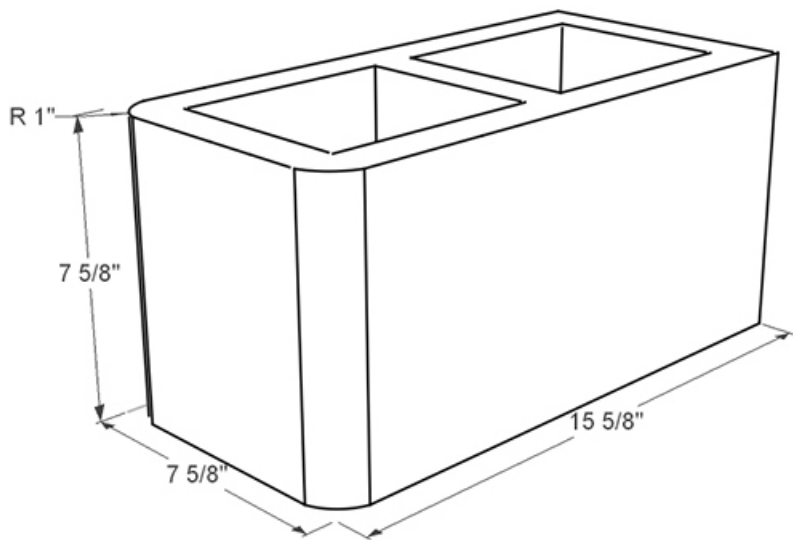
8X8X16 503 SCORE 1 SIDE 1 END



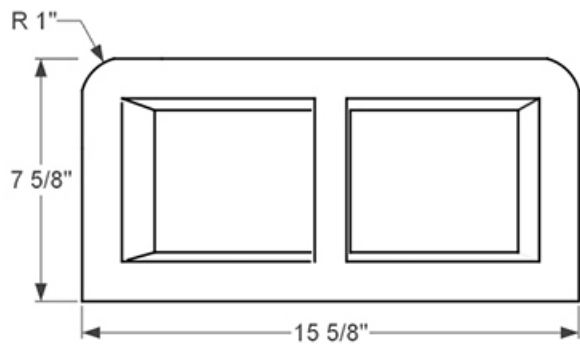
8X8X16 503 SCORE



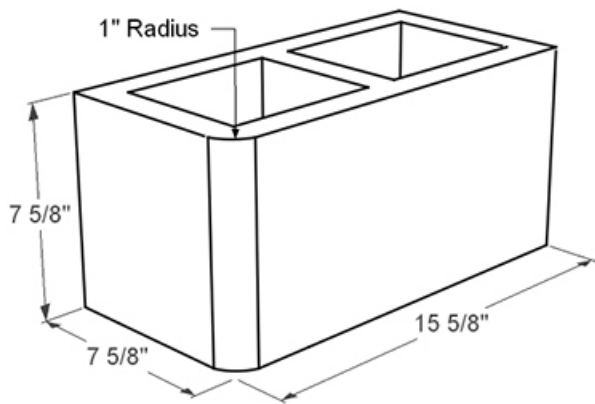
8X8X16 BOND BEAM



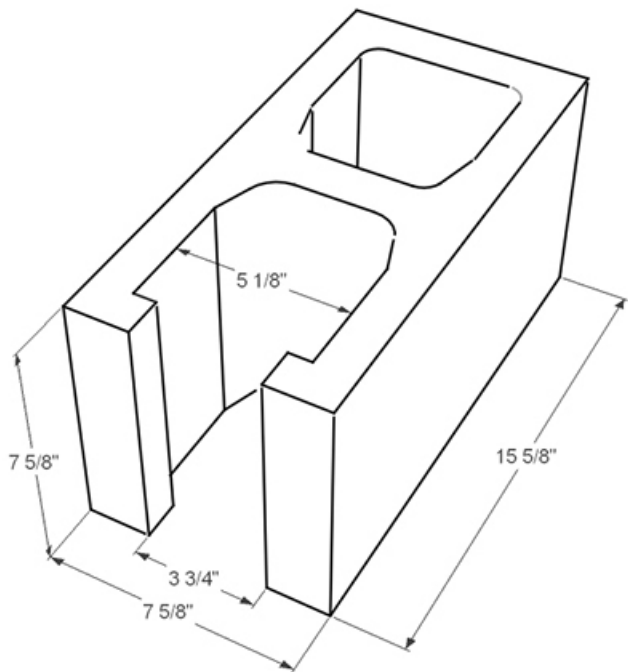
8X8X16 BULLNOSE 2 ENDS



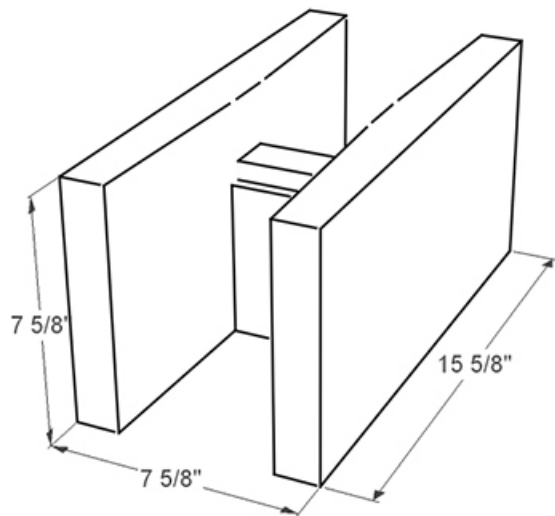
8X8X16 BULLNOSE 2 SIDES



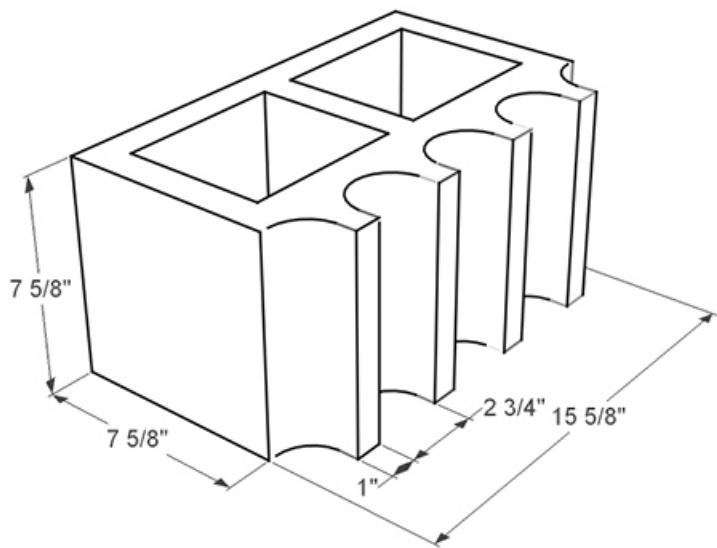
8X8X16 BULLNOSE



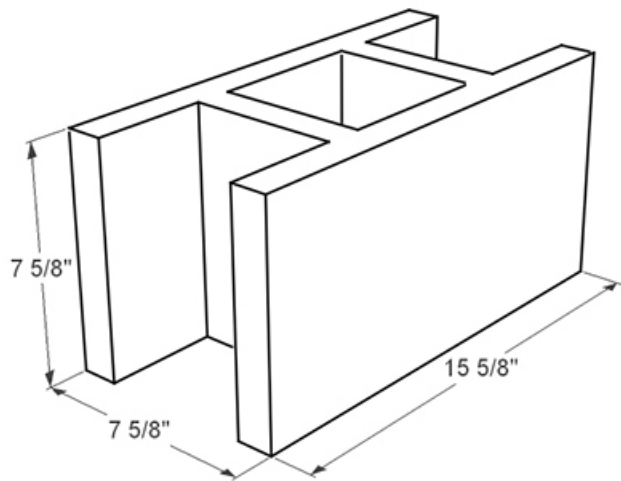
8X8X16 CAL TRANS CONFIGURATION



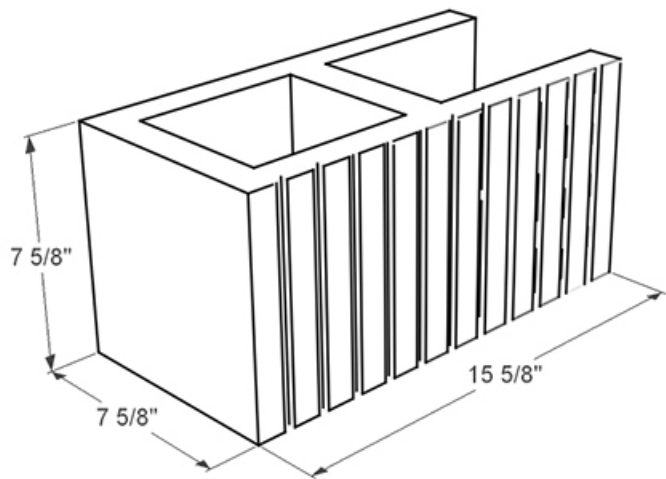
8X8X16 DOUBLE OPEN END BOND BEAM



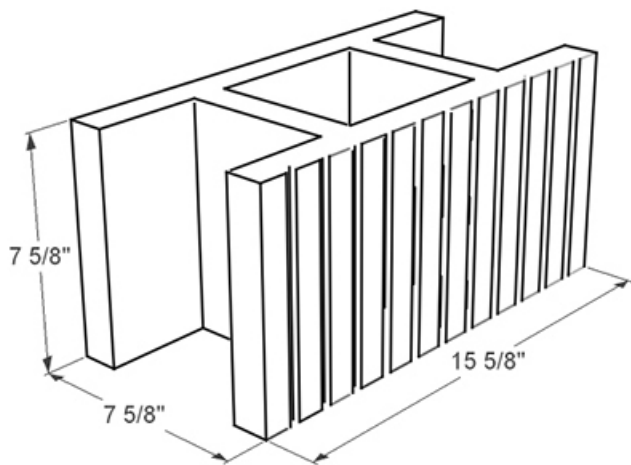
8X8X16 FLUTED 103



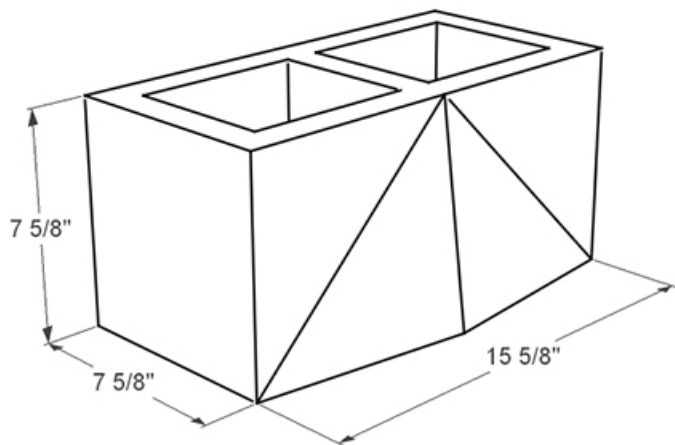
8X8X16 H BLOCK



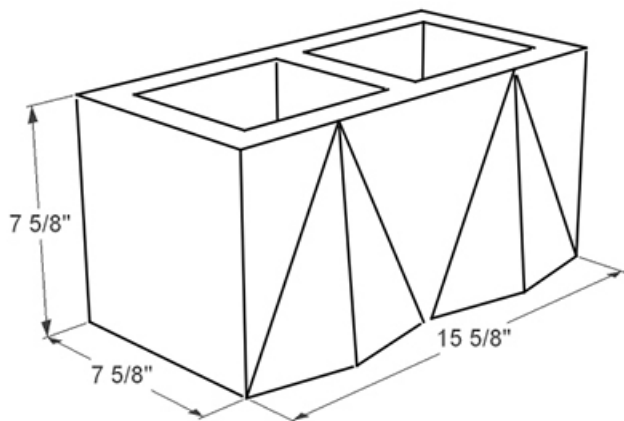
8X8X16 LIDO A PILASTER



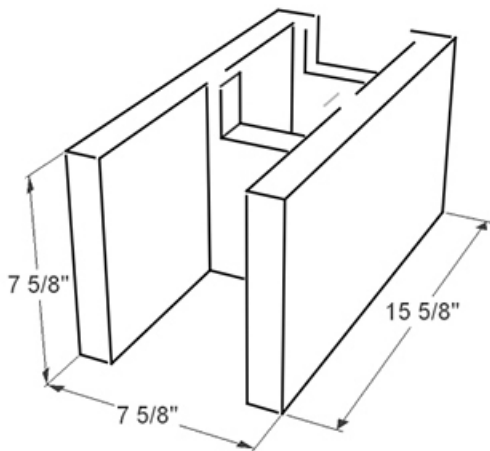
8X8X16 LIDO H PILASTER



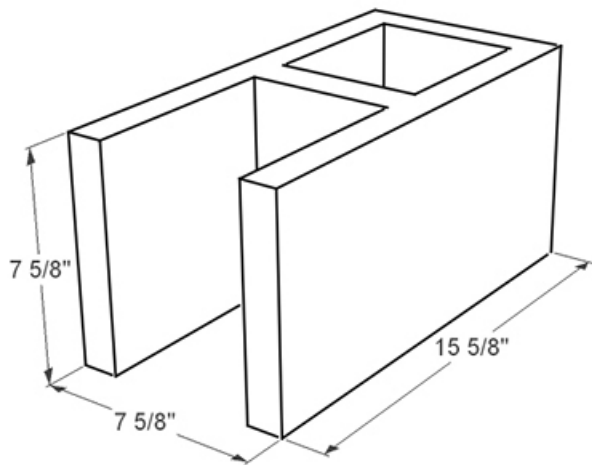
8X8X16 MK1 SHADOW BLOCK



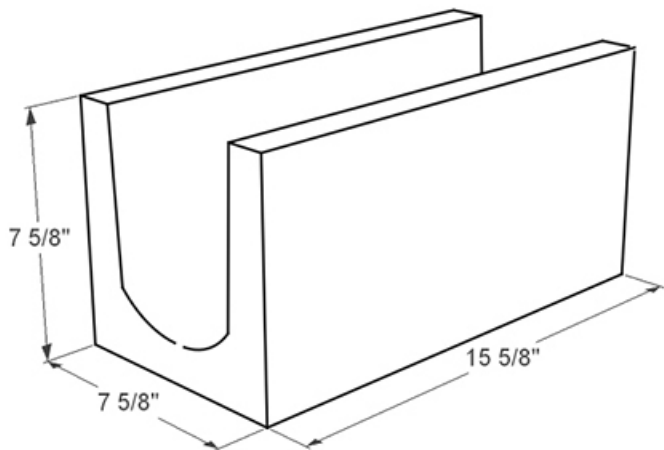
8X8X16 MK2 SHADOW BLOCK



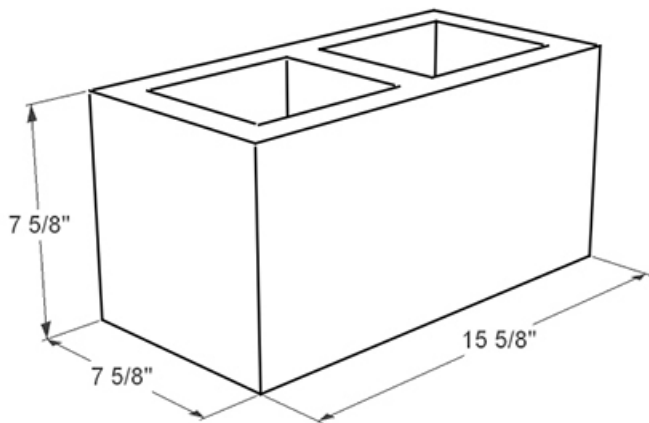
8X8X16 OPEN END BOND BEAM



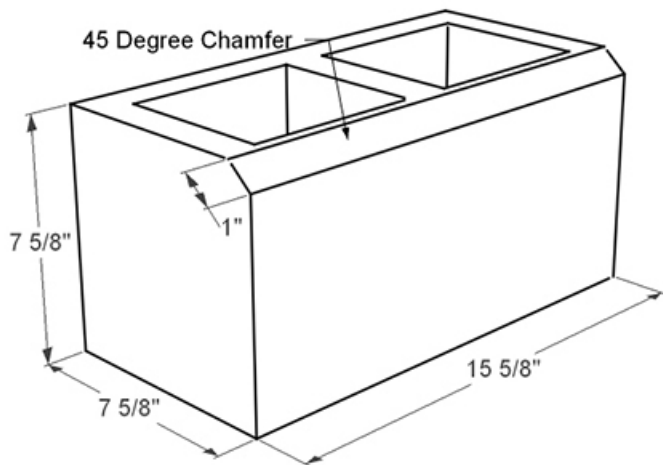
8X8X16 OPEN END



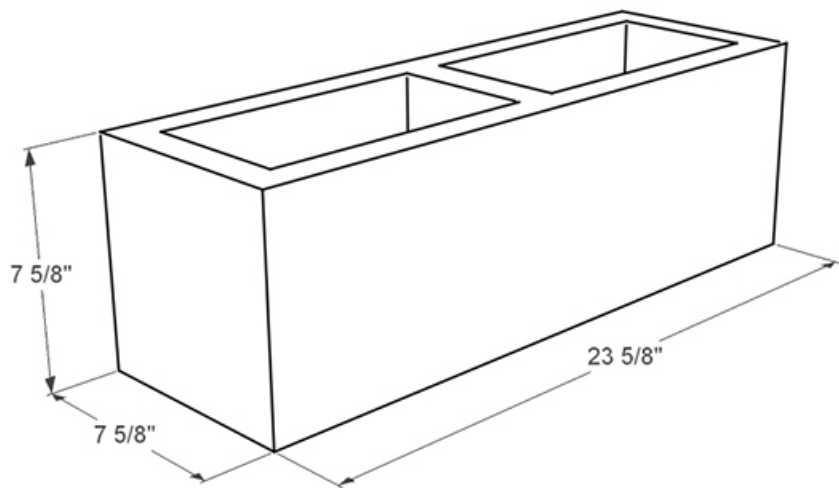
8X8X16 SOLID BOTTOM U LINTEL



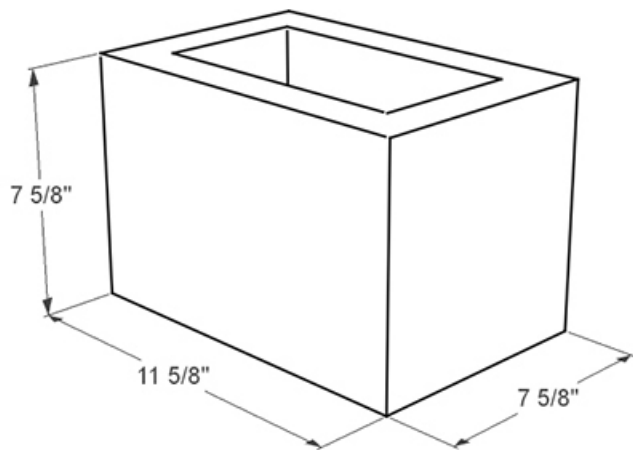
8X8X16



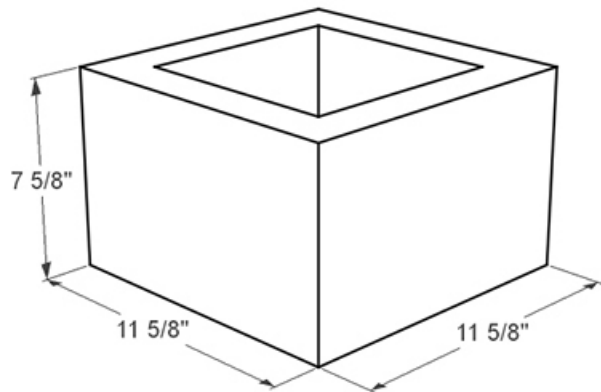
8X8X16 WITH 1 INCH CHAMFER



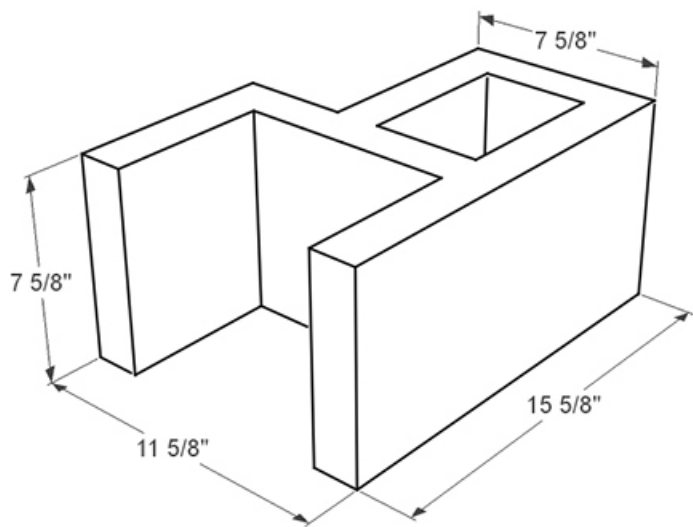
8X8X24



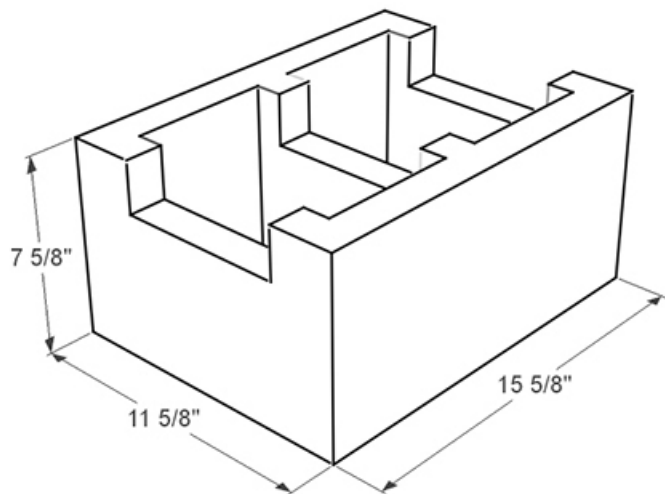
12X8X8



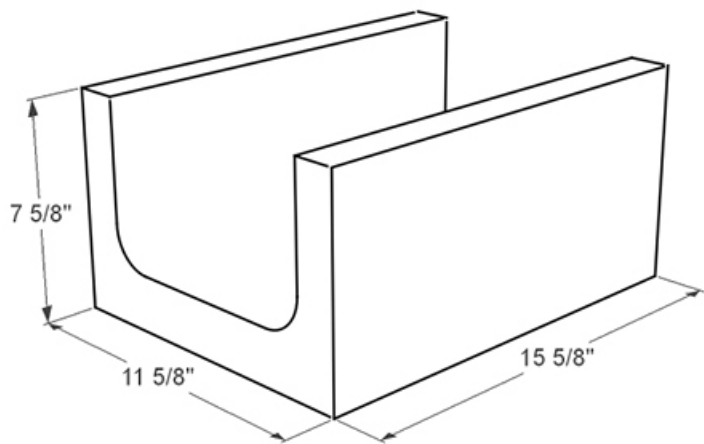
12X8X12



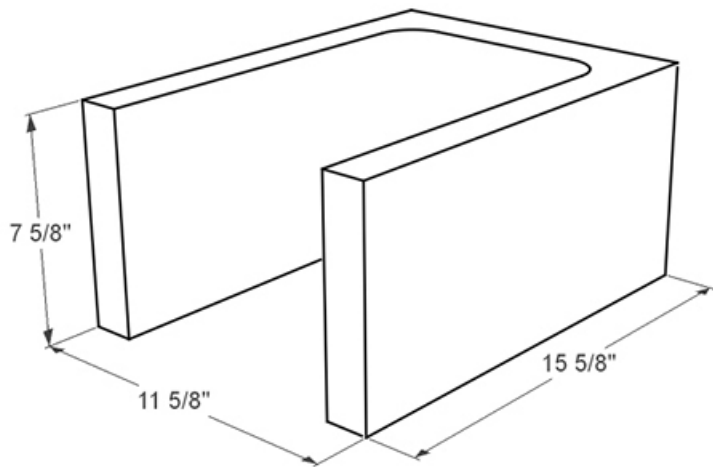
12X8X16 BANJO



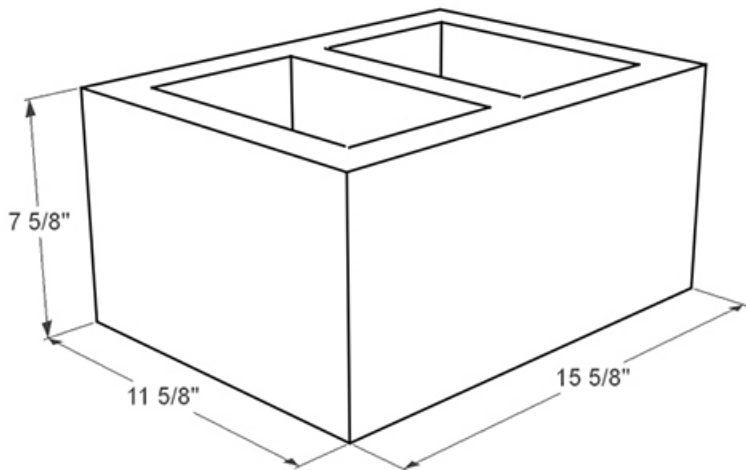
12X8X16 BOND BEAM



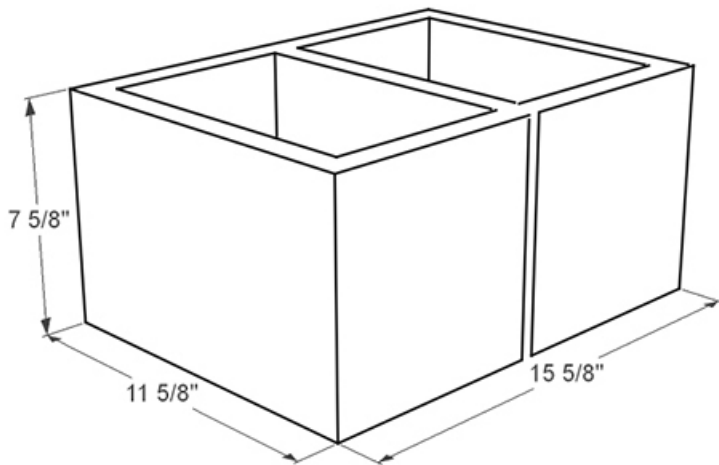
12X8X16 SOLID BOTTOM U LINTEL



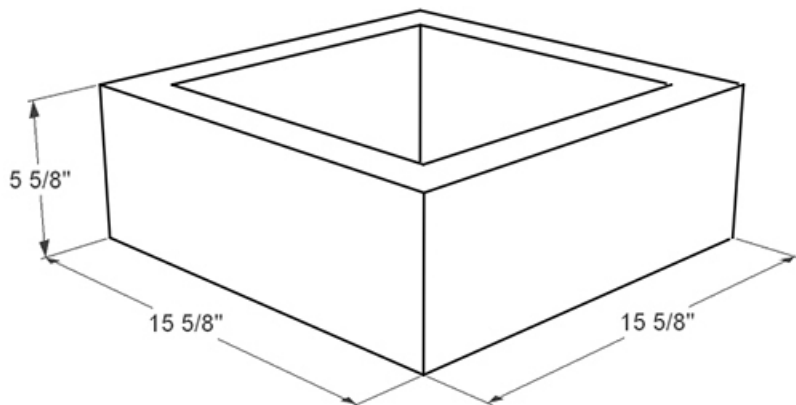
12X8X16 DEEP U LINTEL



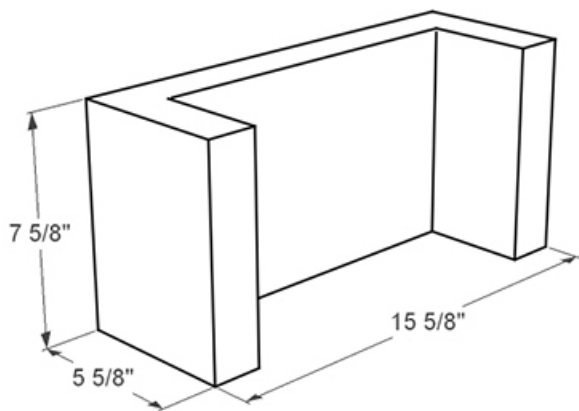
12X8X16



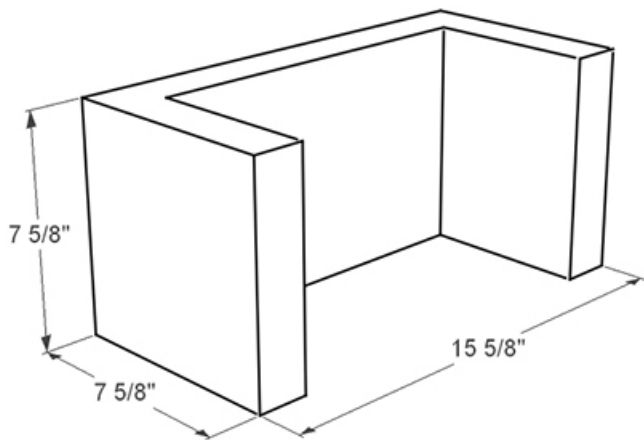
12X8X16 VERTICAL SCORE



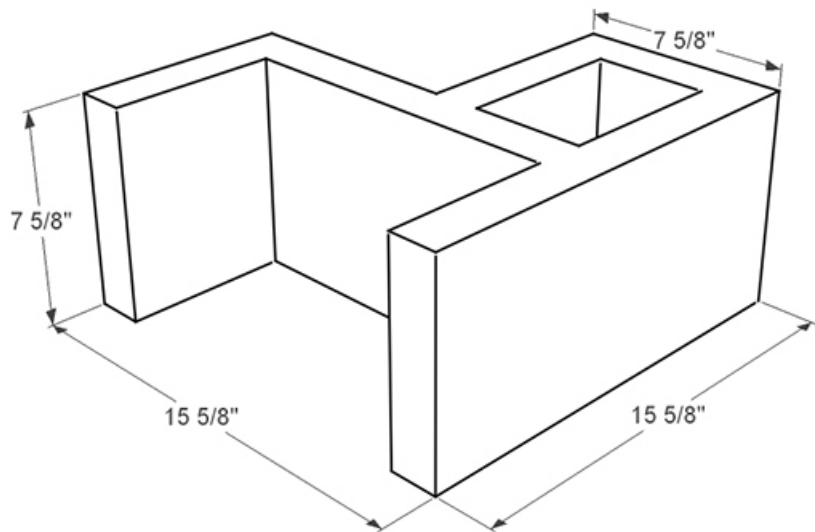
16X6X16 COLUMN



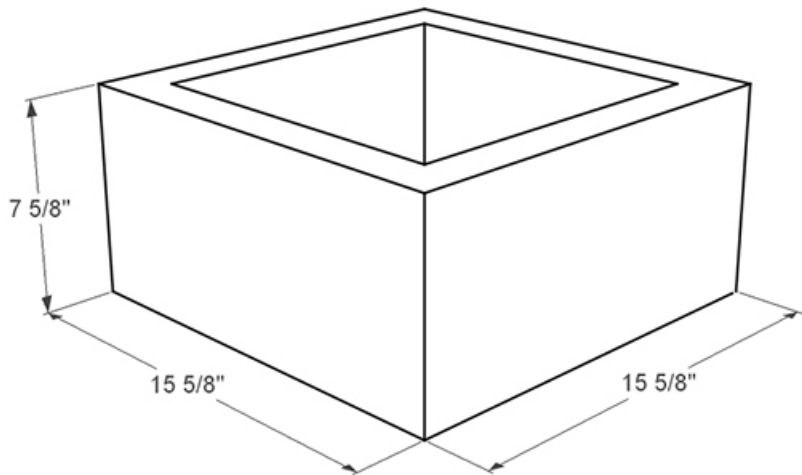
16X8X6 A-ALT



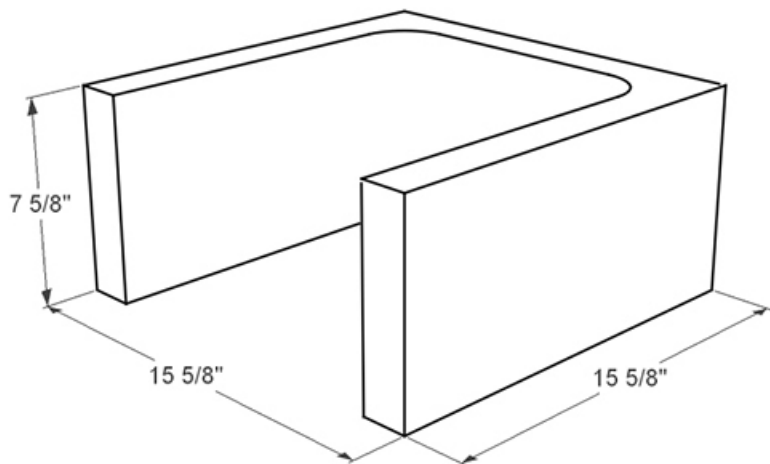
16X8X8 C- ALT



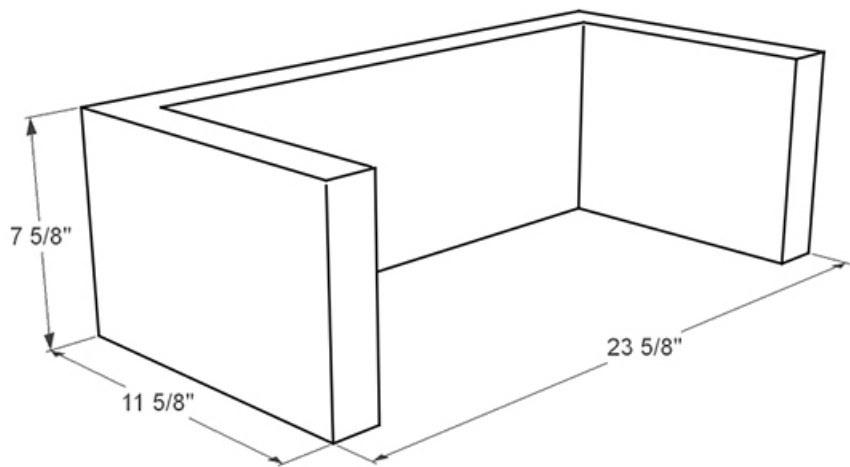
16X8X16 BANJO



16X8X16 COLUMN



16X8X16 DEEP U LINTEL



24X8X12 C- ALT