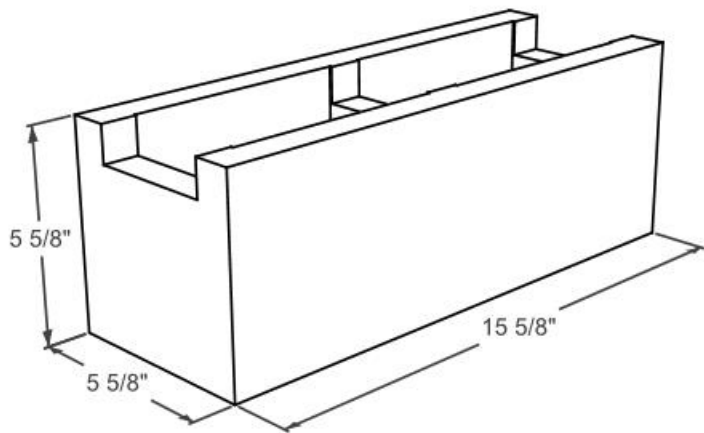
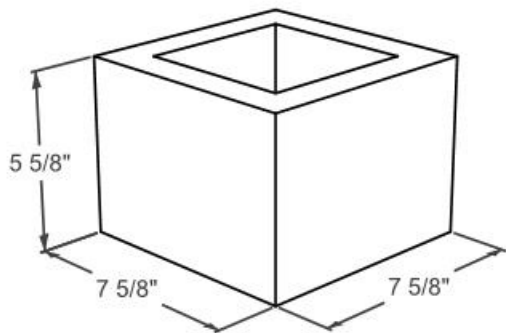


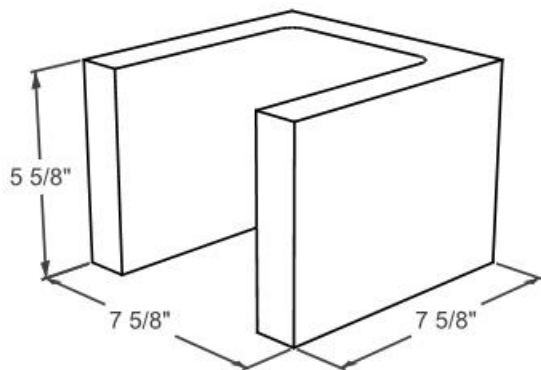
8X6X8



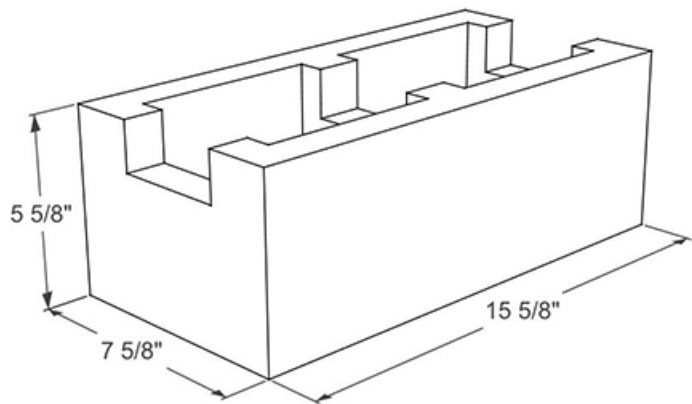
6X6X16 BOND BEAM



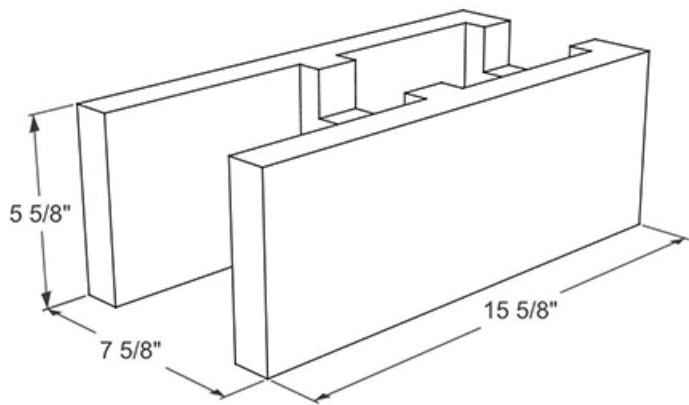
8X6X8



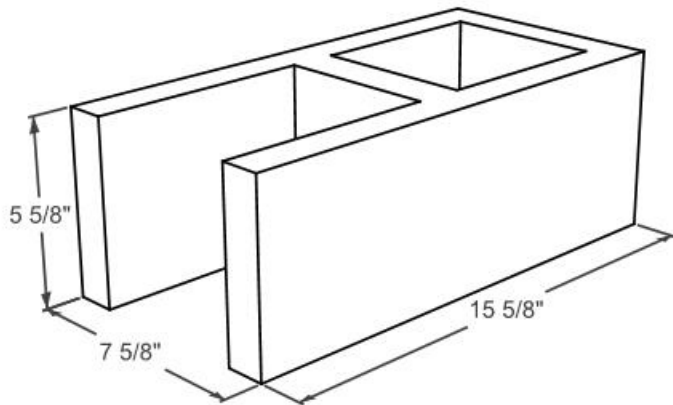
8X6X8 U LINTEL



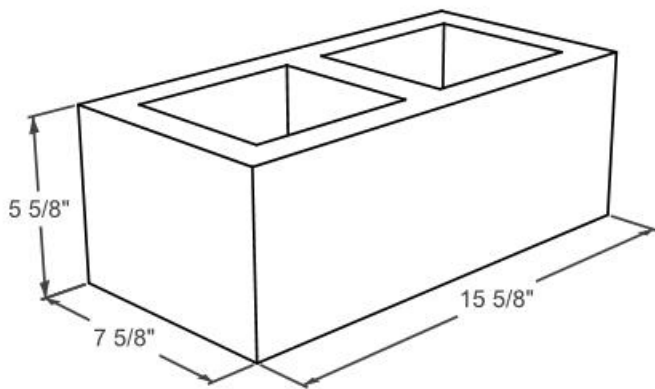
8X6X16 BOND BEAM



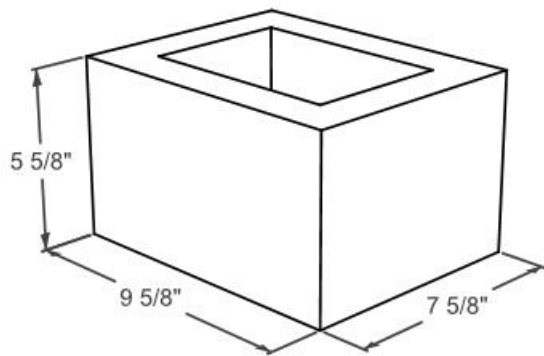
8X6X16 OPEN END BOND BEAM



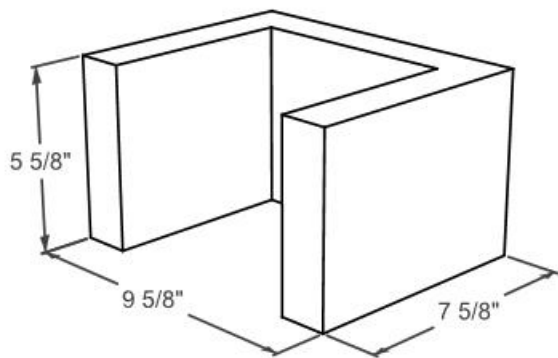
8X6X16 OPEN END



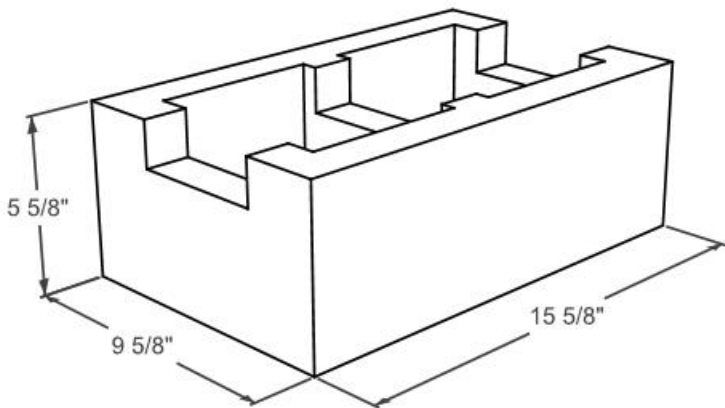
8X6X16



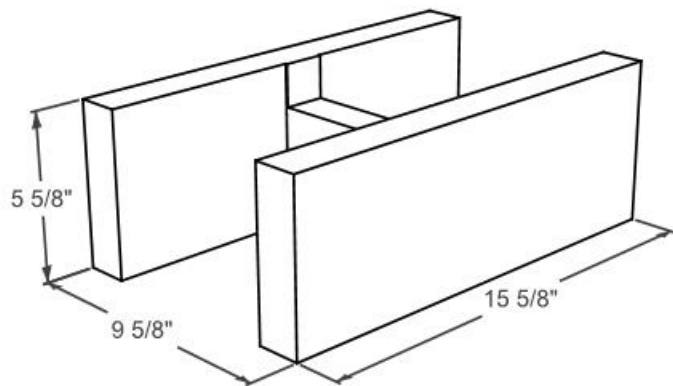
10X6X8



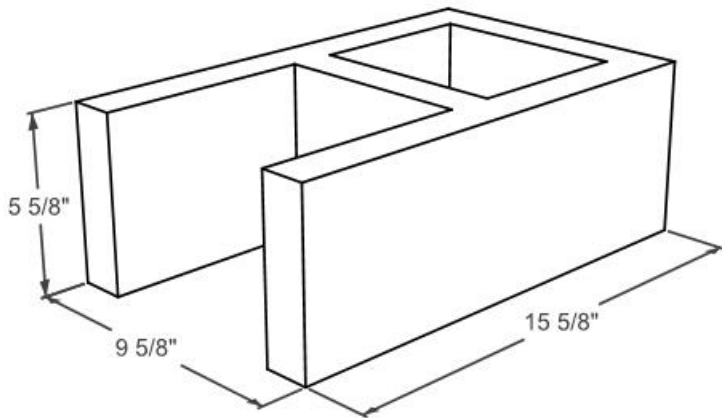
10X6X8 U LINTEL



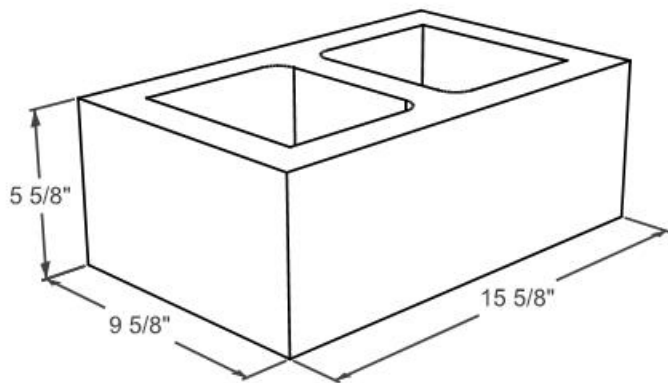
10X6X16



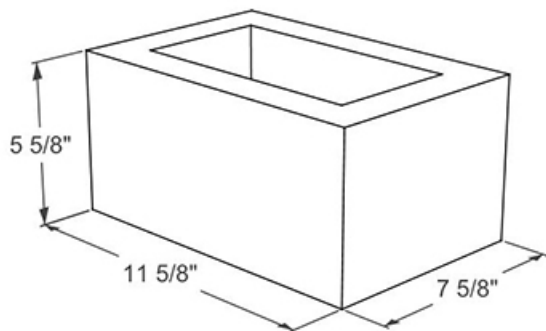
10X6X16 DOUBLE OPEN END BOND BEAM



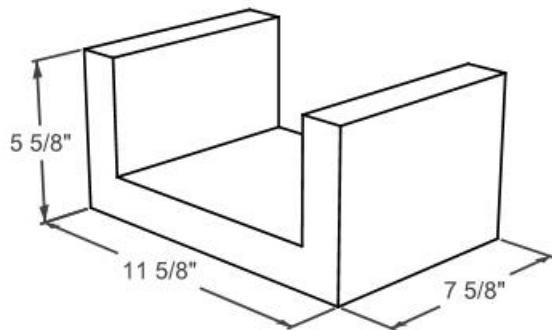
10X6X16 OPEN END



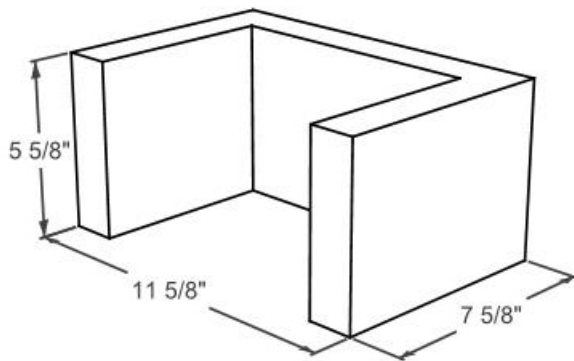
10X6X16



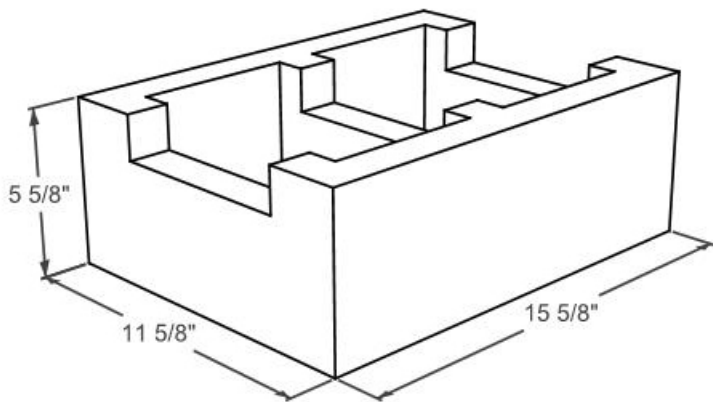
12X6X8



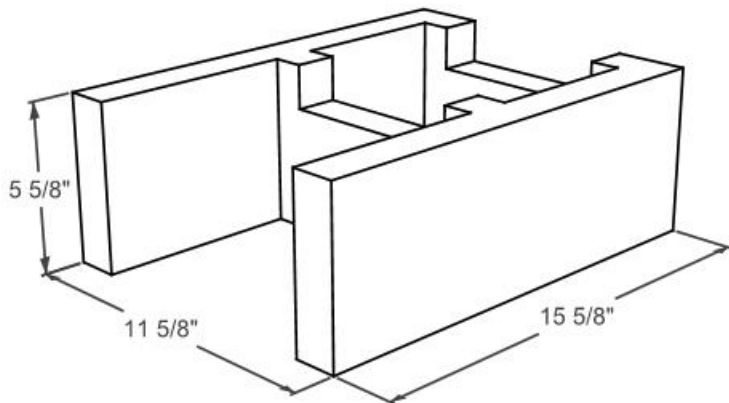
12X6X8 SOLID BOTTOM U LINTEL



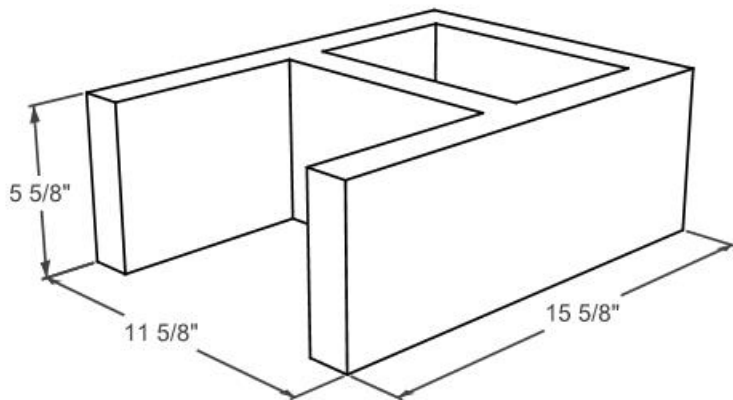
12X6X8 U LINTEL



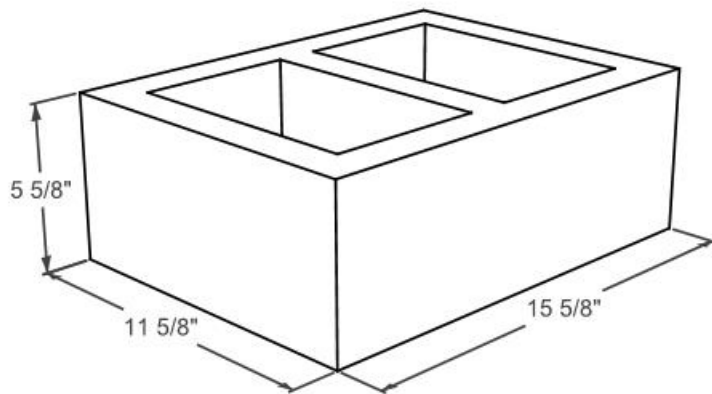
12X6X16 BOND BEAM



12X6X16 OPEN END BOND BEAM



12X6X16 OPEN END



12X6X16