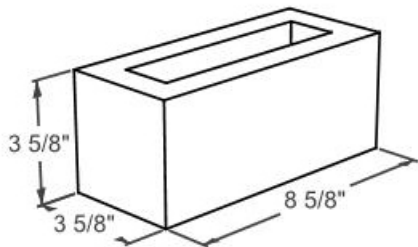
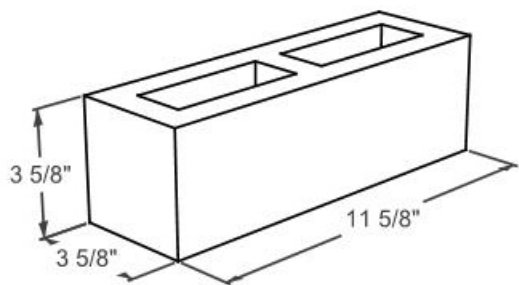


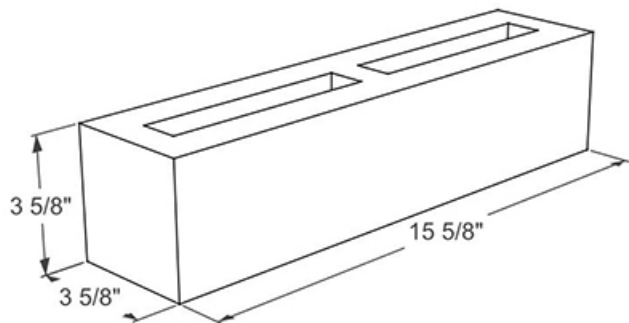
4X4X8



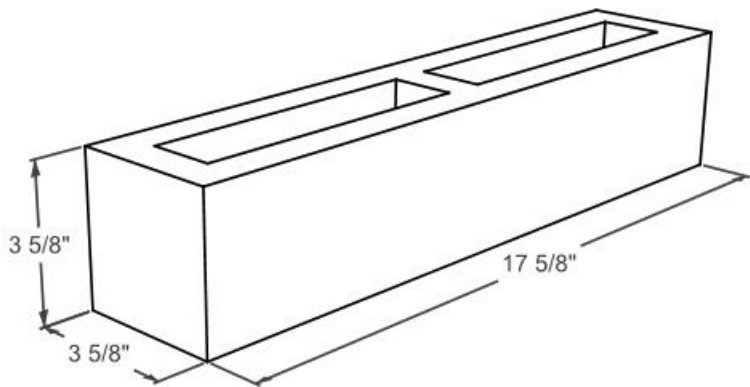
4X4X9



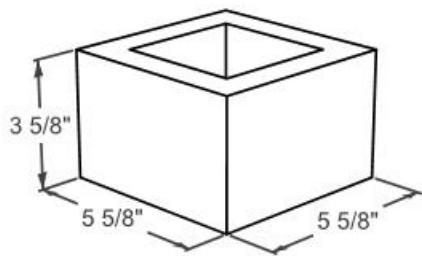
4X4X12



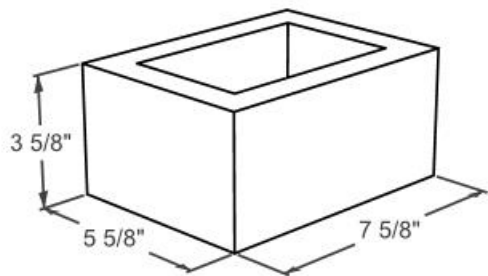
4X4X16



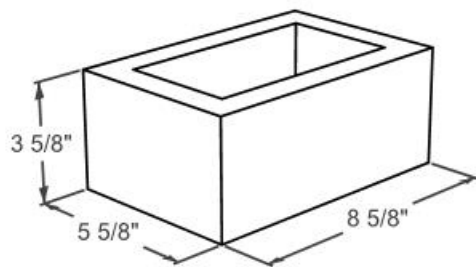
4X4X18



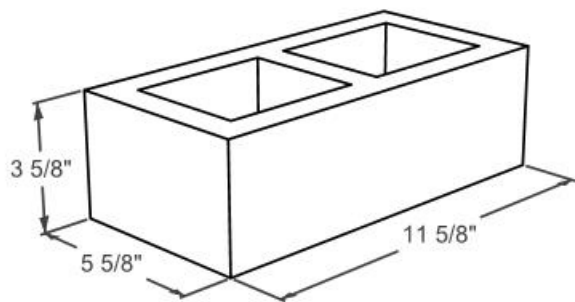
6X4X6



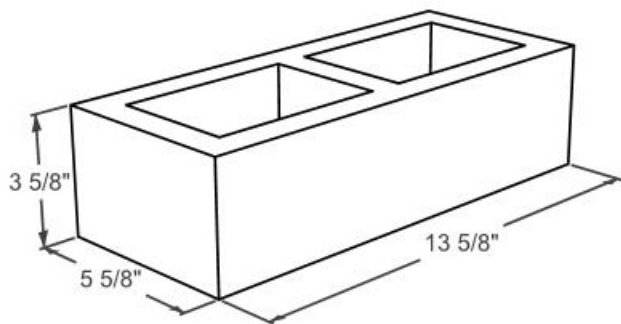
6X4X8



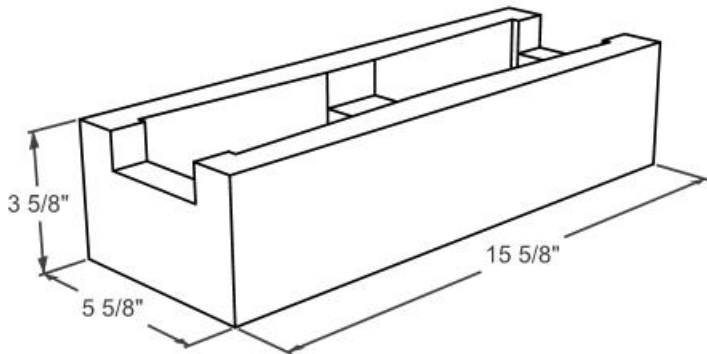
6X4X9



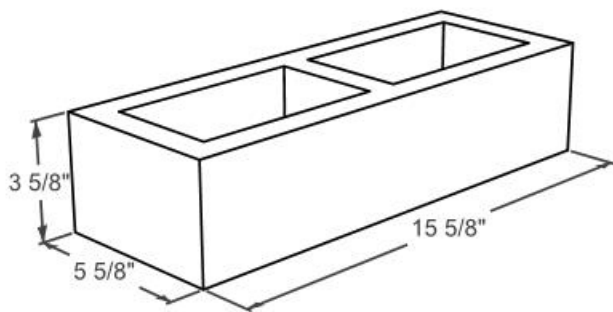
6X4X12



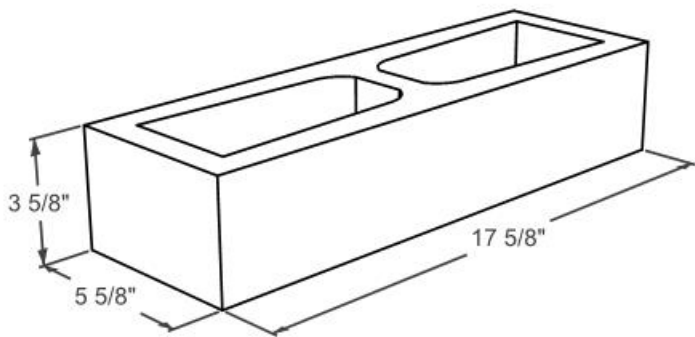
6X4X14



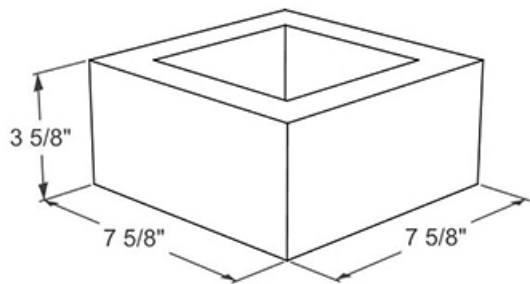
6X4X16 BOND BEAM



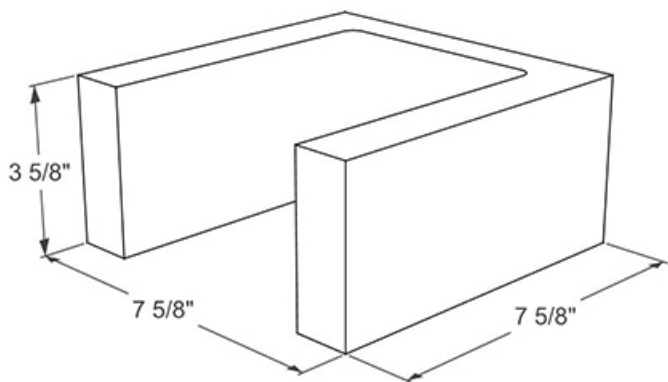
6X4X16



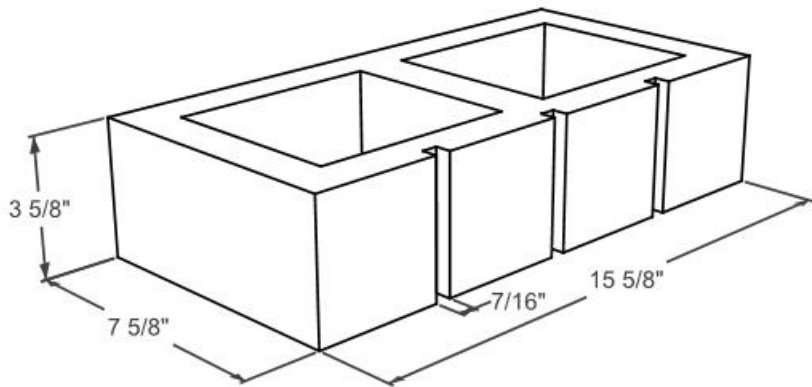
6X4X18



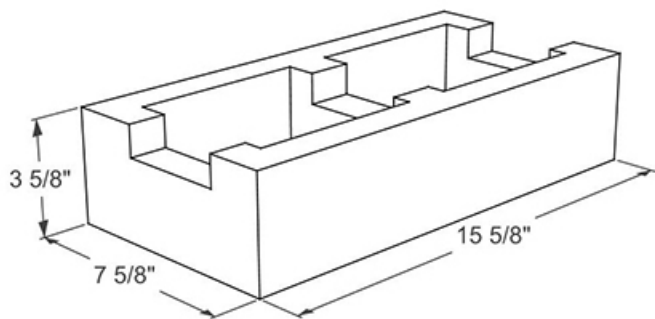
8X4X8



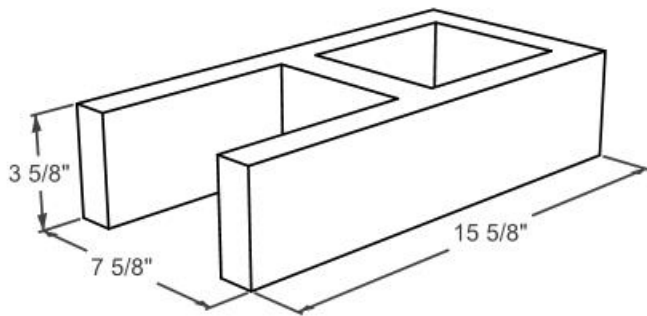
8X4X8 U-LINTEL



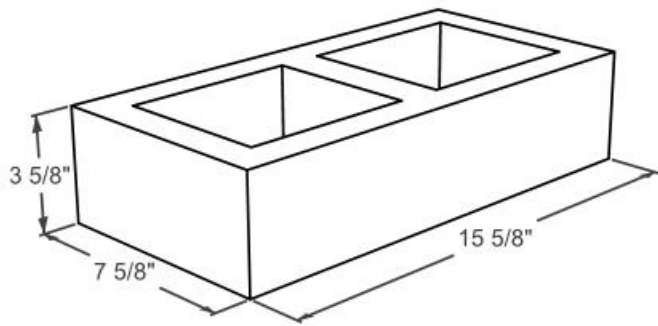
8X4X16 503 SCORE



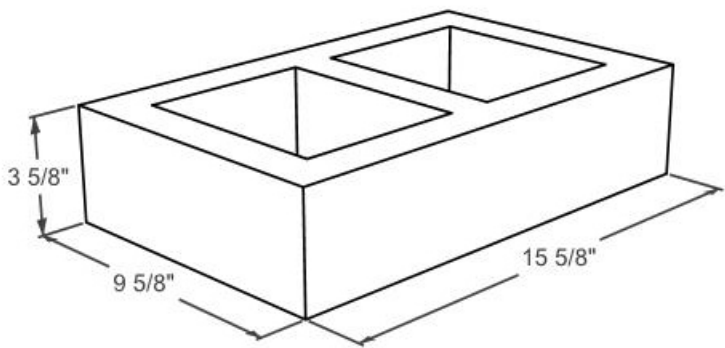
8X4X16 BOND BEAM



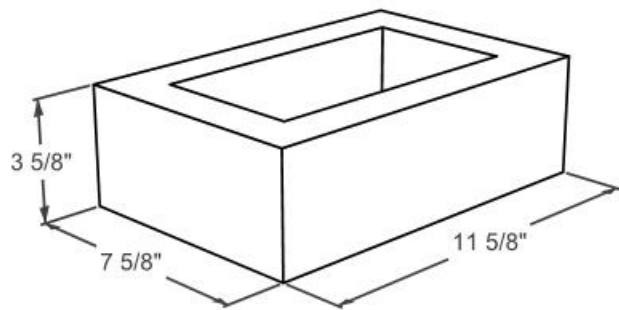
8X4X16 OPEN END



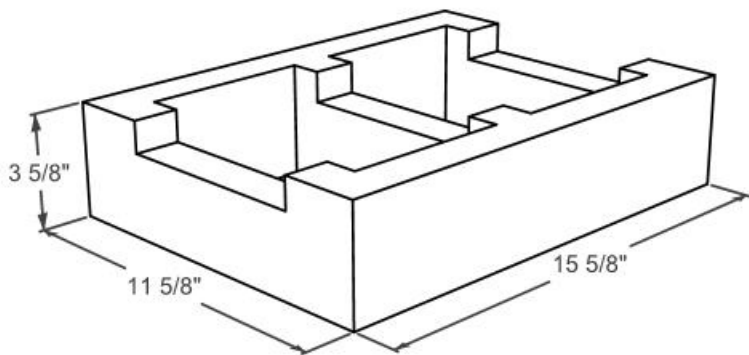
8X4X16



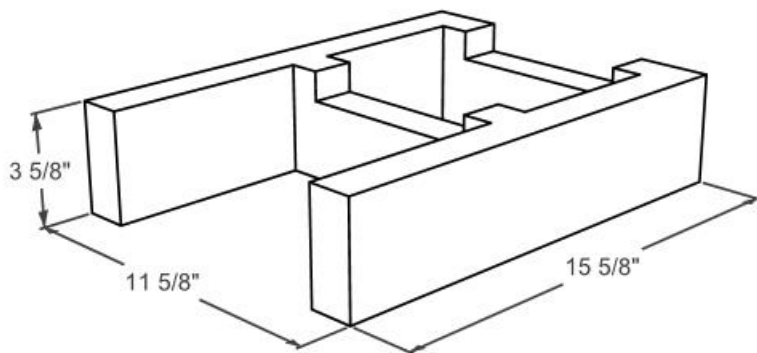
10X4X16



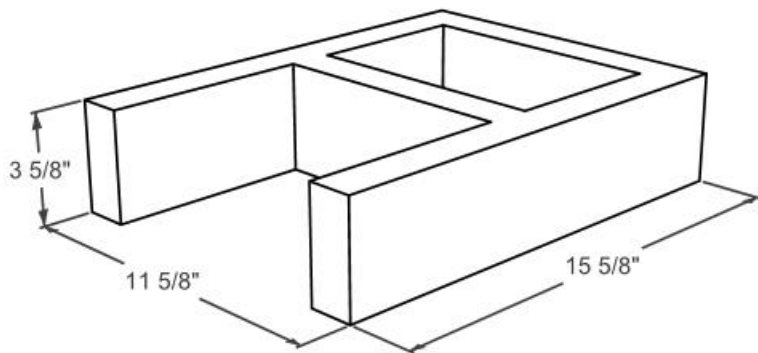
12X4X8



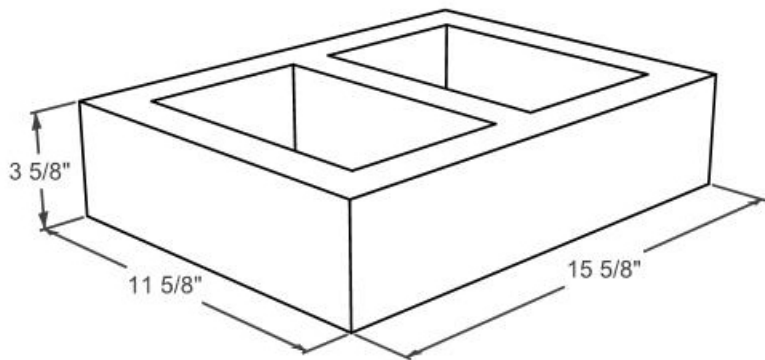
12X4X16 BOND BEAM



12X4X16 OPEN END BOND BEAM



12X4X16 OPEN END



12X4X16